

**Tr** 80x125 mm ebatlarındaki taşıyıcı ray profilleri ile maksimum 7mt açılım sağlanabilen, ön oluk entegreli açılır-kapanır pergola sistemi.

**En** Retractable pergola system, max. 7mt projection with 80x125 mm conveyor rafter profiles (Integrated front gutter).

**Es** Pérgola de lona móvil, salida máxima de 7 m. con guías de 80x125 mm (Canalón frontal integrado).

**Fr** Pergola de toile rétractable, projection maximum de 7 mètres avec profils coulisses de 80x125 mm (Gouttière frontale intégrée).

**De** 80x125 mm Größe Tragschiene Profile können mit einer maximalen öffnen und schliessen Pergola-System 7 m Öffnung vorgesehen sein (Mit integrierte Ablaufsystem).











**Tr** NOVO açılır-kapanır pergola sistemi, açık alanların kötü hava koşullarında bile yıllarca kullanılmasına olanak veren gelişmiş bir çözümdür. Beaufort rüzgar skalası 11 şiddetine (117 km/saat) dayanabilen sistem, kara, yağmura ya da güneş ışığına karşı dayanıklı olarak tasarlanmıştır.

Sistemin profilleri, yüksek dereceli 6063 ekstrüzyon alüminyumdan, elektrostatik toz boya yöntemiyle boyanarak üretiliyor ve açık alan uygulamalarında üstün performans sağlıyor. Tüm civata, vida ve pimler, sistemin uzun ömürlü kullanılmasını sağlamak için yüksek kalite paslanmaz çelikten üretilmiştir.

**En** The NOVO retractable pergola system provides the user with a designer outdoor covering to allow outdoor areas to be used all year round in any weather. The system offers a wind rating up to Beaufort class 11 (Up to 117km/h) and is designed to stand up to even the worst of conditions rain, hail or shine.

The system is manufactured to size using high grade 6063 extruded aluminium profiles finished with thermosetting powder coating which provides superior overall performance for exterior product applications. All bolts, screws and pins are high grade stainless steel to ensure extended system life.

**Es** La Pérgola de lona móvil NOVO proporciona al usuario una solución de diseño para exterior permitiendo utilizar áreas de exterior en cualquier condición climatológica. Ofrece una resistencia al viento clase 11 de la escala Beaufort (Hasta 117 km/h) y está diseñado para soportar cualquier climatología ya sea bajo la lluvia o el sol.

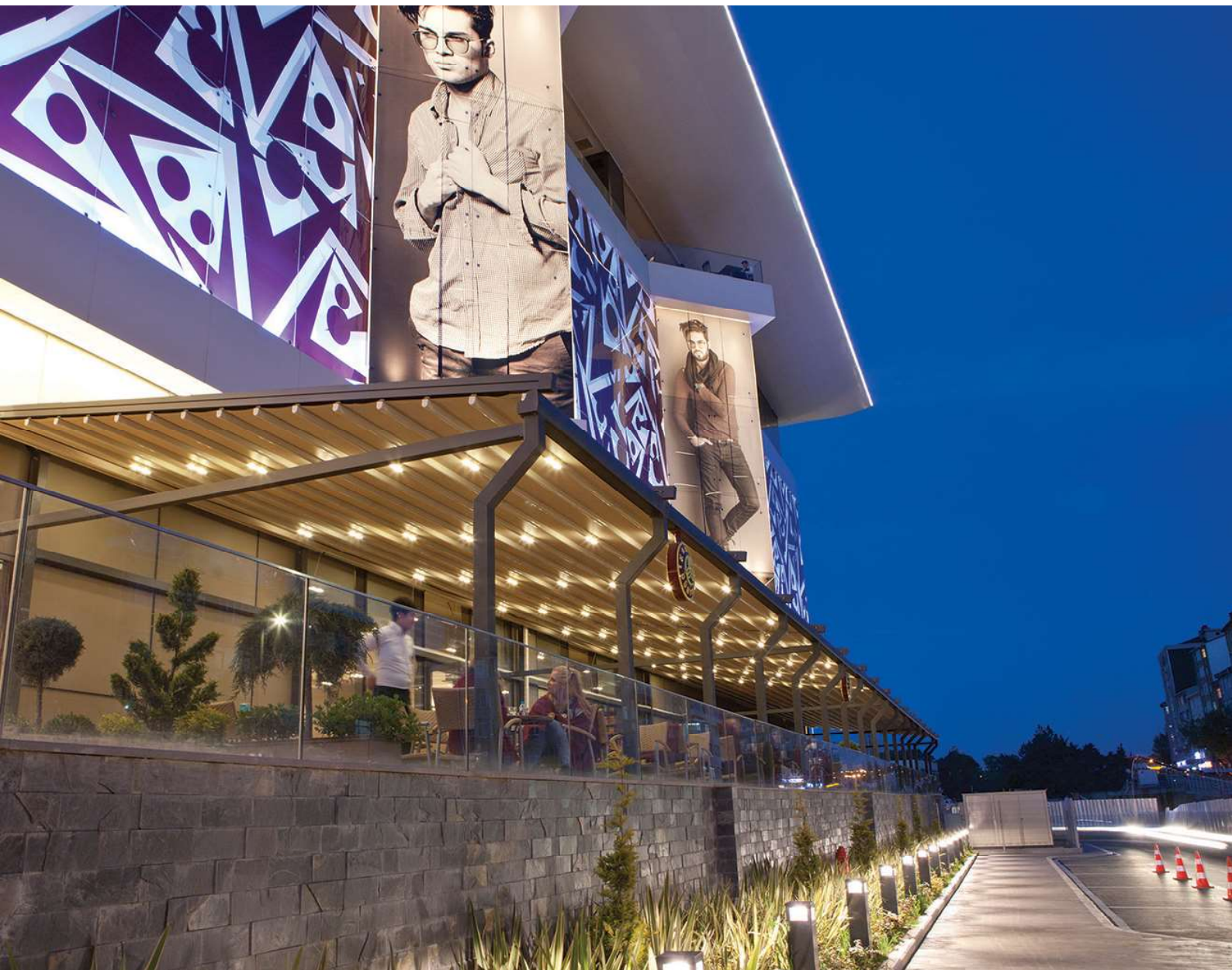
El sistema está fabricado a medida usando perfiles de aluminio extrusionado de alta calidad aleación 6063 lacados mediante recubrimiento en polvo que proporciona un excelente rendimiento para uso exterior. Tornillería de acero inoxidable de alta calidad para alargar la vida del sistema.

**Fr** La pergola en toile rétractable NOVO offre une solution de couverture design, permettant de profiter d'espaces extérieurs dans n'importe qu'elles conditions climatiques. Résistance au vent de classe 11 sur l'échelle de Beaufort (Jusqu'à 117 km/h). Elle est étudiée pour supporter n'importe qu'elle situation climatique, grêle, pluie et soleil.

Le système est fabriqué sur mesure, utilisant des profils extrudés de haute qualité norme 6063, finis avec revêtement en poudre thermodurcissable, qui offre une meilleure performance globale pour des réalisations en extérieur. Les accessoires sont en acier inoxydable de haute qualité pour une plus grande durée de vie du système.

**De** Die NOVO versenkbare Pergola-System bietet dem Anwender mit einem Designer im Freien abdecken, damit Außenbereich das ganze Jahr über bei jedem Wetter verwendet werden. Das System bietet eine Wind-Rating bis zur Klasse 11 (Bis zu 117 km/h) Beaufort und ist entworfen, um sich gegen die schlimmsten Bedingungen regen, Hagel oder Sonnenschein.

Das System ist an Größe mit hochwertigem 6063 Aluminium-Strangpressprofilen fertig mit duroplastischen Pulverbeschichtung, die überlegene Gesamtleistung für den Außenbereich Produkt-Anwendungen bietet hergestellt. Alle Bolzen, Schrauben und Stifte sind aus hochwertigem Edelstahl erweitert Lebensdauer des Systems zu gewährleisten.





Alternatif renk seçenekleri ile Alman ısıya dayanıklı, 100% su geçirmez blackout kumaş

German fire rated, 100% waterproof blackout fabric in a range of colours

Resistente al fuego, lona de blackout impermeable 100% con una amplia gama de colores

Résistant au feu, toile blackout 100% imperméable, divers coloris au choix

Deutsche Herstellung, Feuerfest 100% wasserdicht blackout -Stoff in verschiedenen Farben





Entegre edilmiş yeni HDD Lux Led aydınlatma sistemi  
Integrated new HDD Lux Led lighting system  
Nuevo sistema de iluminación integrado Led HDD Lux  
Nouveau système d'éclairage intégré Led HDD Lux  
Integrierte neue HDD Lux Led Beleuchtungssystem





**Tr** 110x160 mm ebatlarındaki taşıyıcı ray profilleri ile maksimum 10 mt açılım sağlanabilen, ön oluk entegreli açılır-kapanır pergola sistemi .

**En** Retractable pergola system, max.10mt projection with 110x160 mm conveyor rafter profiles (Integrated front gutter).

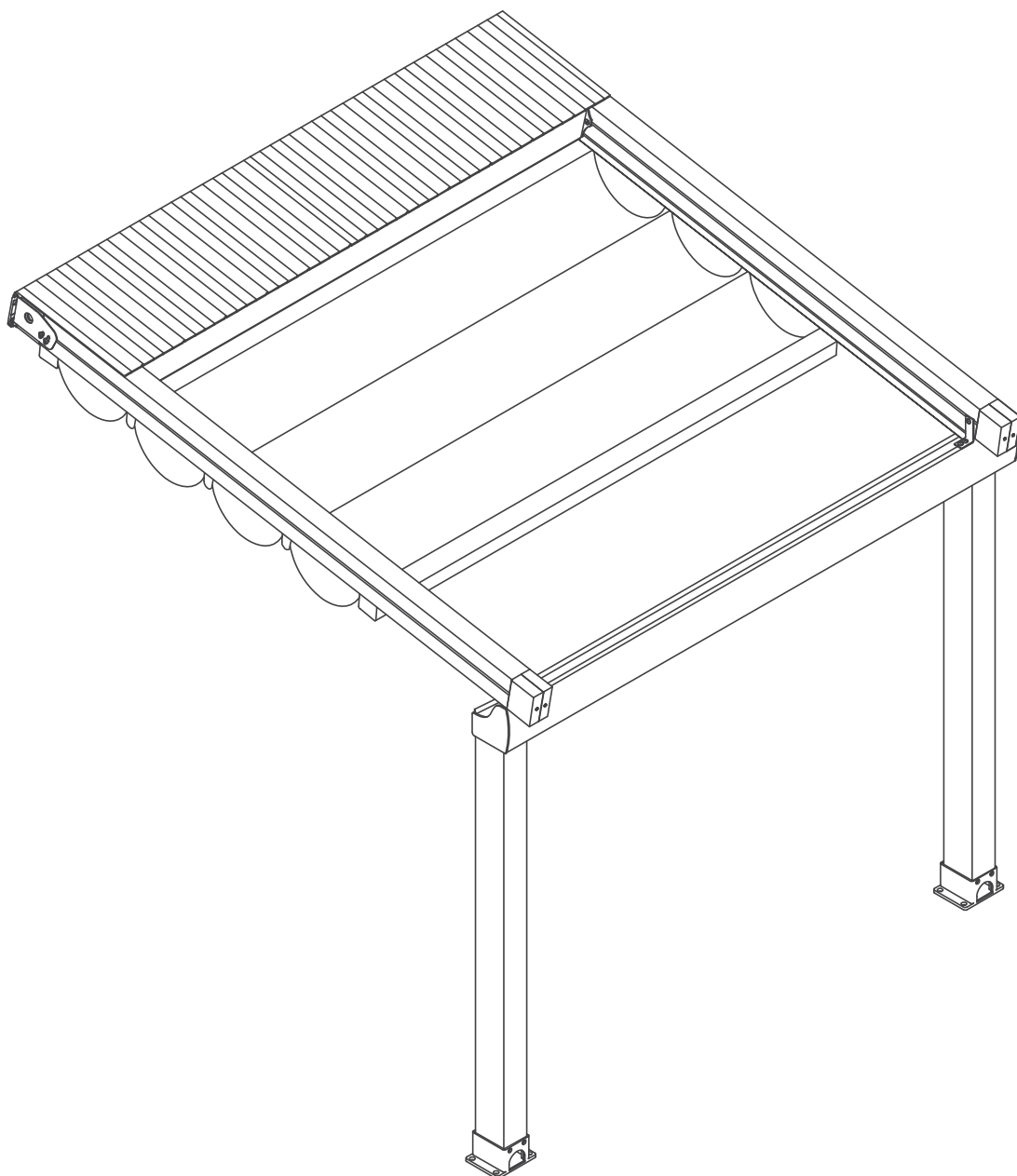
**Es** Pérgola de lona móvil, salida máxima de 10 m. con guías de 110x160 mm. (Canalón frontal integrado).

**Fr** Pergola de toile rétractable, projection maximum de 10 mètres avec profils coulisses de 110x160 mm (Gouttière frontale intégrée).

**De** 110x160 mm große Öffnung kann durch die Tragschiene Profile zu einem Maximum von 10 m öffnen und schliessen Pergola-System zur Verfügung gestellt werden (Mit integrierte Ablaufsystem).



**Novo**



**SUNTECH**

## Novo retractable pergola system

The NOVO retractable pergola system provides the user with a designer outdoor covering to allow outdoor areas to be used all year round in any weather. The system offers a wind rating up to Beaufort class 11 (up to 117km/h) and is designed to stand up to even the worst of conditions rain, hail or shine.

The system is manufactured to size using high grade 6063 extruded aluminium profiles finished with thermosetting powder coating which provides superior overall performance for exterior product applications. All bolts, screws and pins are high grade stainless steel to ensure extended system life.

The NOVO rafter profiles (80mm x 125mm) have been designed with unique water guard side channels and cast aluminium end plates to allow for projections up to 7m per system. Widths are customised according to site requirements and available in any size up to 13m. The NOVO system offers up to 91sqm of protection at the touch of a button but when required linking multiple systems is also possible and made easy by our patented storm channel joining system that ensures 100% waterproof join every time. The NOVO system also includes an integrated gutter system with internal drainage to carry away even the heaviest rain.

Remote controlled motorisation is provided by utilising European technology through a custom built direct drive motor system to ensure smooth and quick operation at 26RPM. The optional hi powered LED-TEC lighting system provides a practical touch of class and when coupled with a remote dimming controller allows the user to change the mood to suit the surrounding environment.

The heart of the system is driven by multiple Suntech F3 eight wheel slider carriages (each F3 slider carriage has a load limit of 600kgs) that incorporates a triple layer barrier system and works in conjunction with a timing belt that has been reinforced with multiple internal stainless steel cables to provide a pulling strength of over 966kg. It's this tension that is applied to the fabric membrane to allow an angle of 6 degrees fall possible and ensure all water drains away in the internal gutter system.

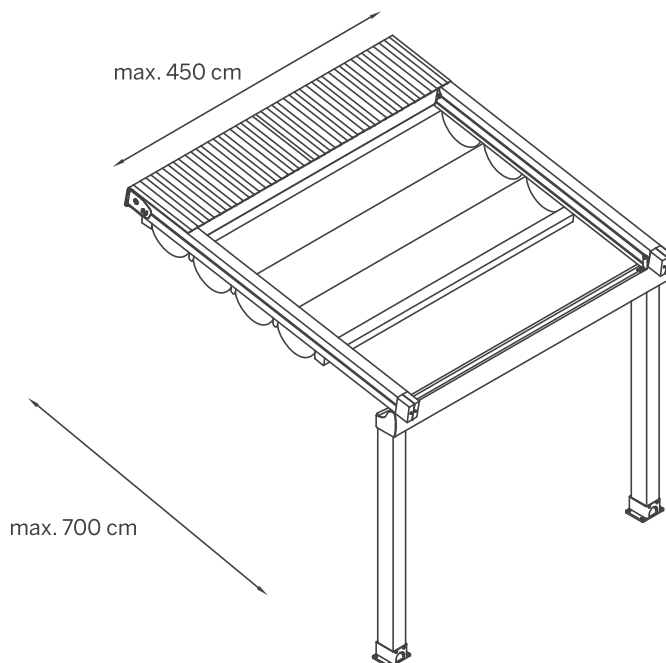
The fire rated and 100% waterproof architectural membrane is available in a range of colours in both opaque and transparent that provides maximum stability and resistance to temperature, moisture and dirt. It does not shrink or bag, and the acrylic top coating makes it very easy to clean for years to come. When not in use the fabric is neatly retracted under the systems hood to provide protection from the elements when not required.

To ensure the highest level of protection Suntech systems focus on all the details, this is why all Suntech systems come standard finished with Stormguard soft touch edge seal on all parameters. Stormguard provides the ultimate protection against rain and draught intrusion around the outside of the system and is only available on our systems. Stormguards soft touch edge seal is produced from an extra soft & flexible rubber to ensure the best possible protection from the elements.

# Novo

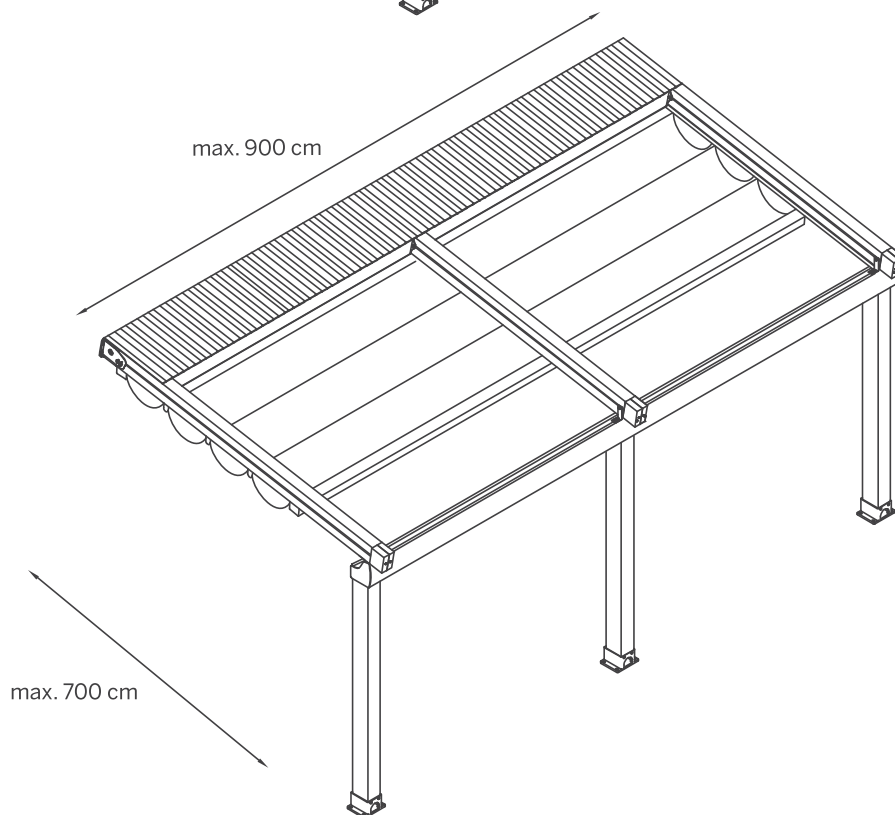
## One Module

200 cm > 450 cm  
One Module with one motor & 2 rafters



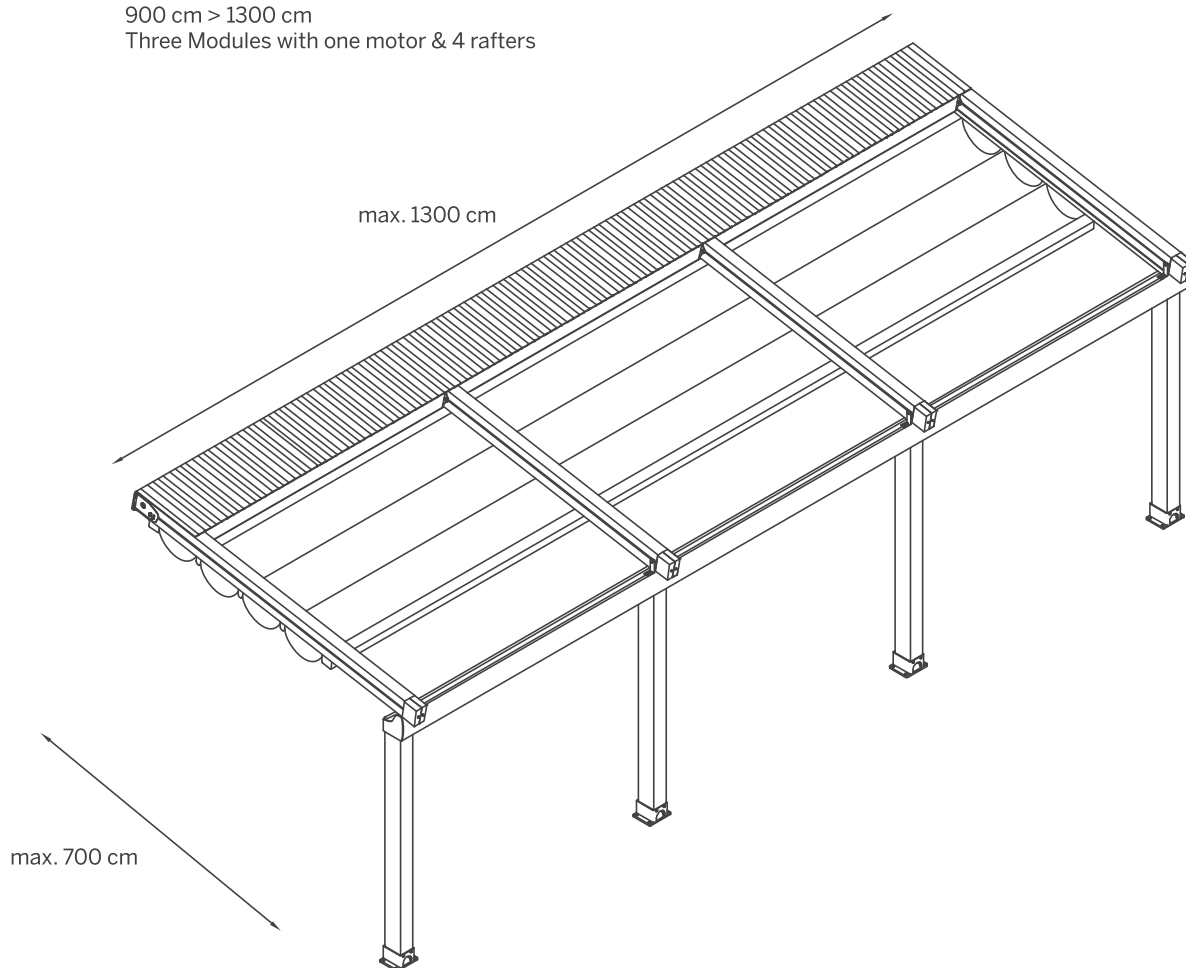
## Two Modules

450 cm > 900 cm  
Two Modules with one motor & 3 rafters

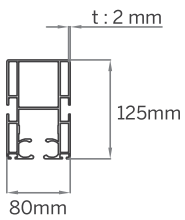
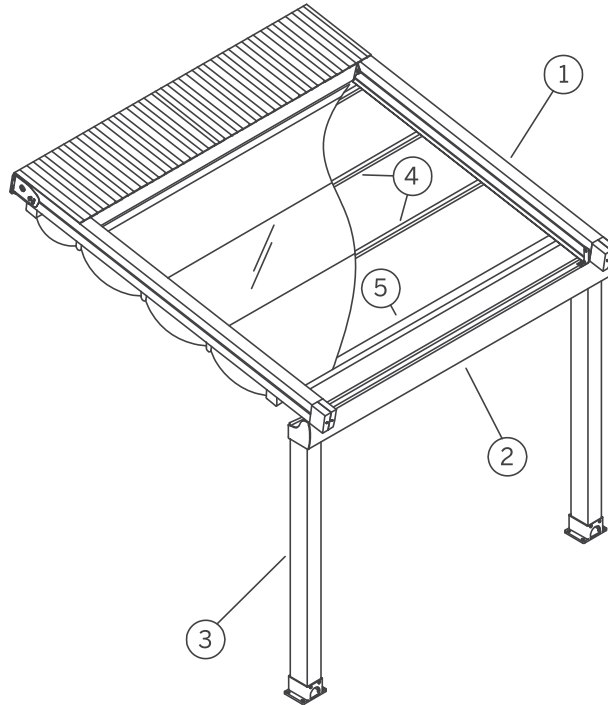


**Three Modules**

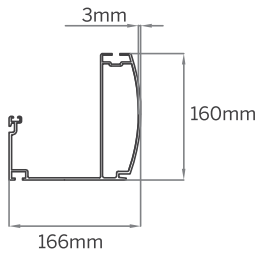
900 cm > 1300 cm  
Three Modules with one motor & 4 rafters



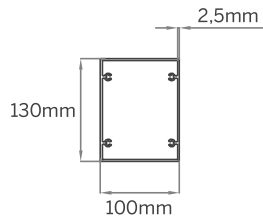
# Novo



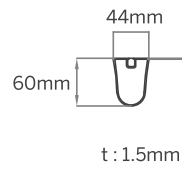
① Rafter



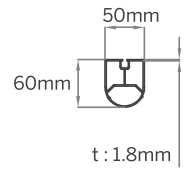
② Gutter



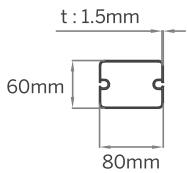
③ Post



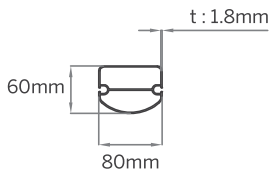
④ Fabric Support (Standart)



④ Fabric Support (HDD Lux)

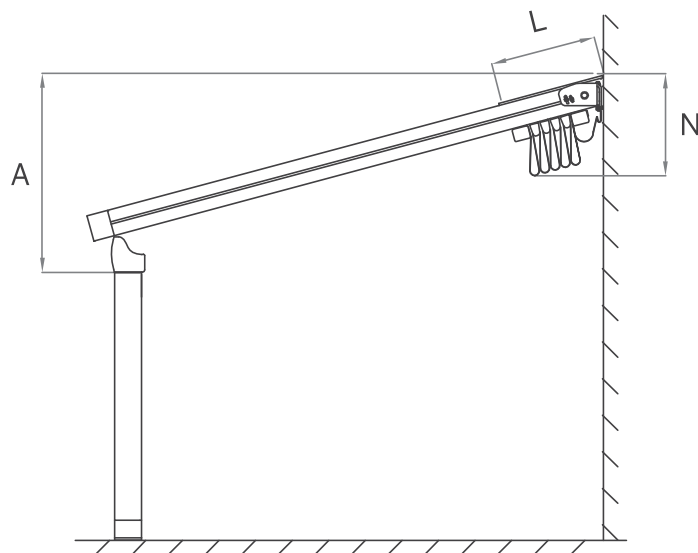


⑤ Puller Profile (Standart)



⑤ Puller Profile (HDD Lux)



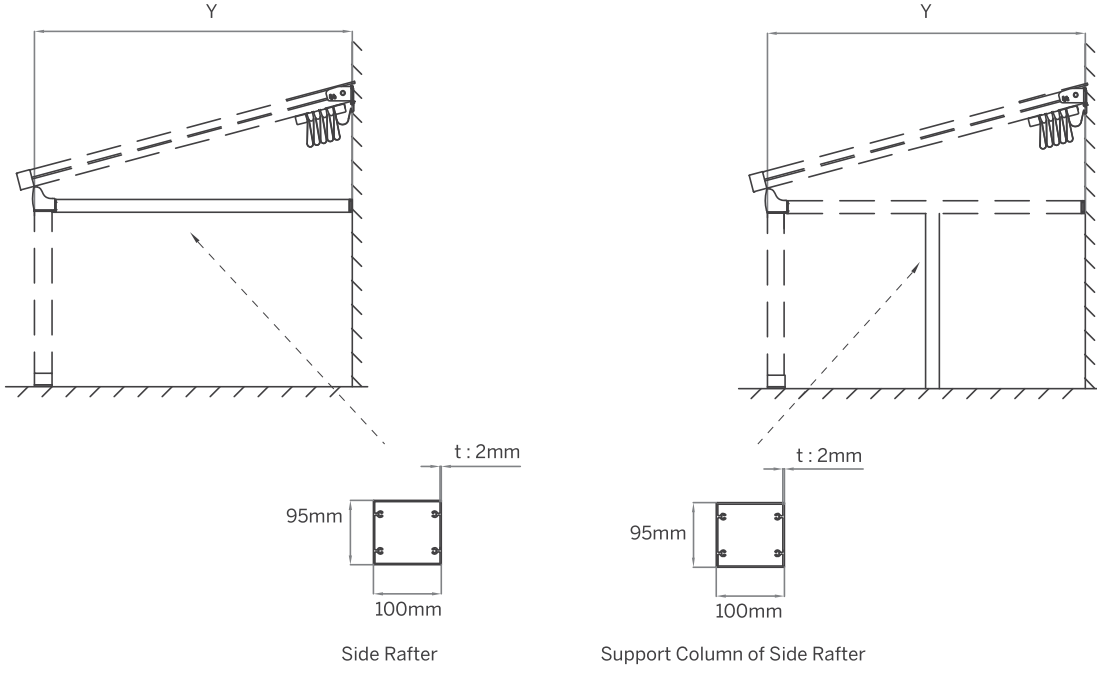
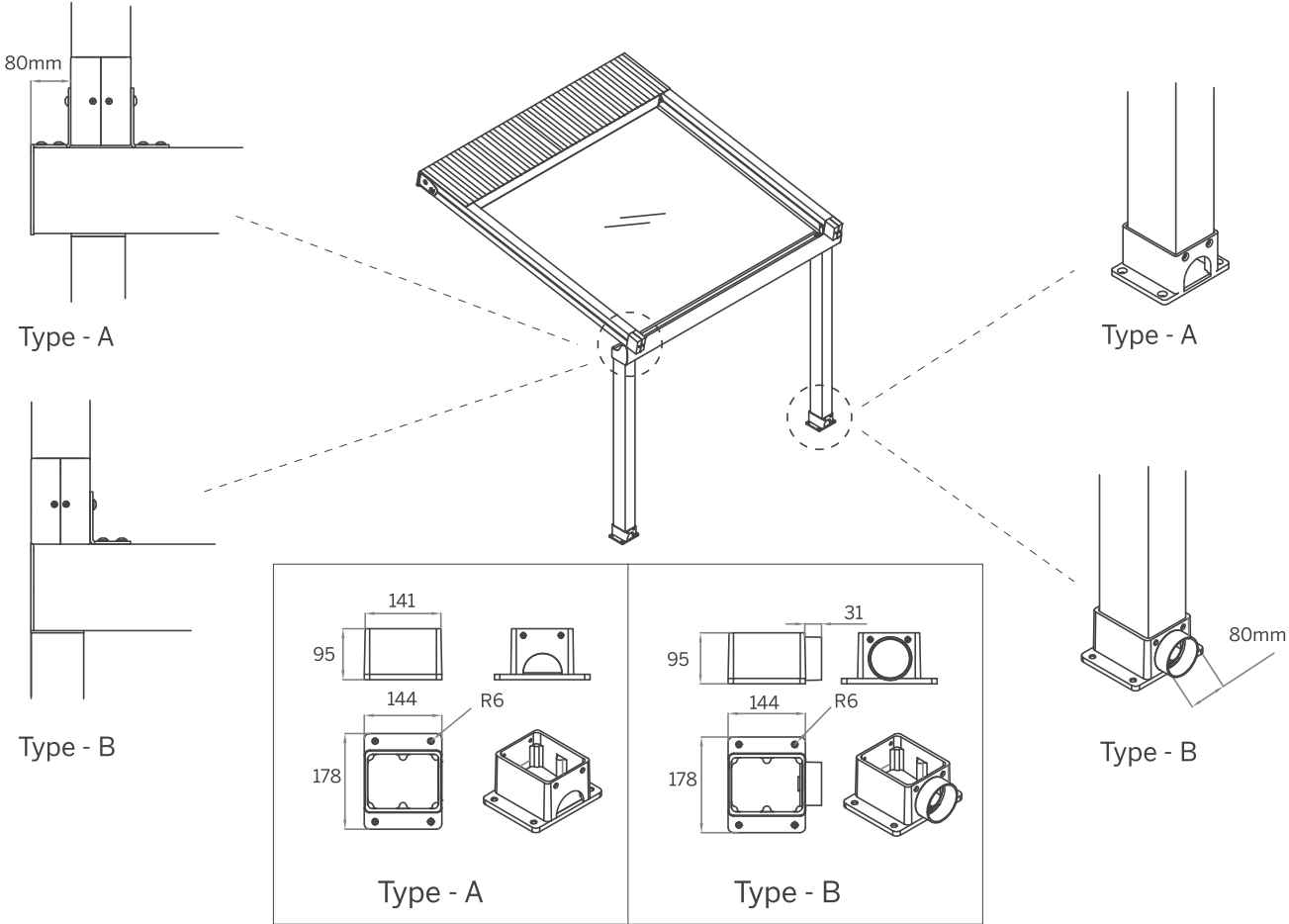


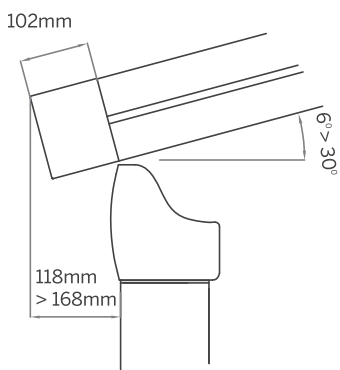
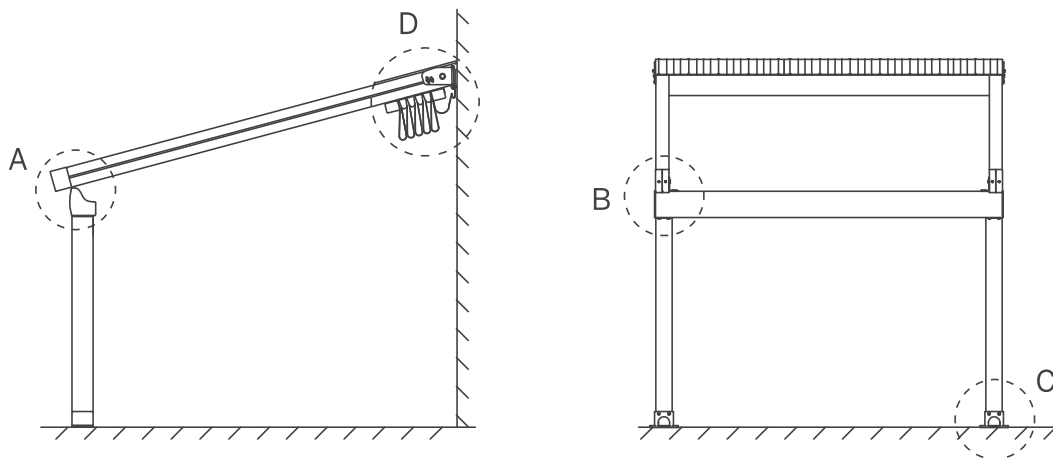
### Novo

	Fabric Height	Hood	Fall	Fab.Sup.Profiles
	(N*) mm	(L*) mm	(A*) mm	pc*
300	414	651	645	7
350	420	706	706	8
400	426	761	768	9
450	439	871	829	11
500	446	926	891	12
550	453	981	952	13
600	460	1036	1013	14
650	466	1091	1075	15
700	473	1146	1136	16

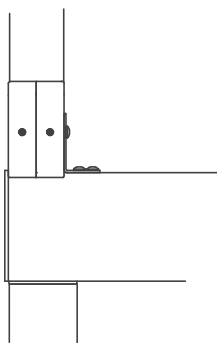
\*With min. inclination of 7°. Values can vary by other inclination values.

# Novo

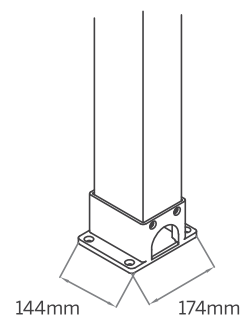




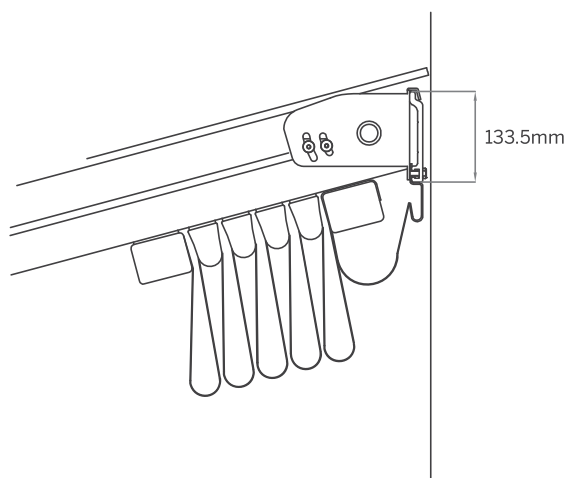
DETAIL A



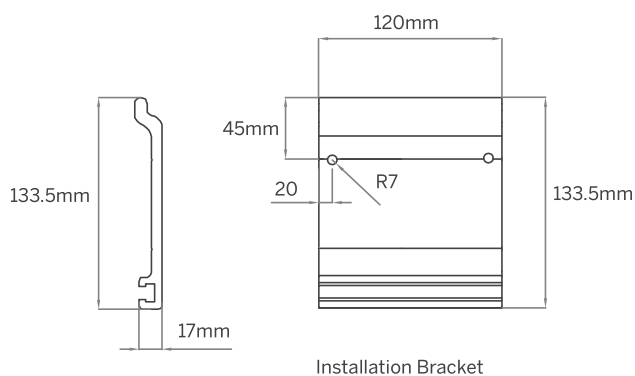
DETAIL B



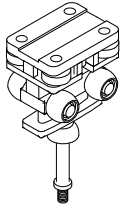
DETAIL C



DETAIL D

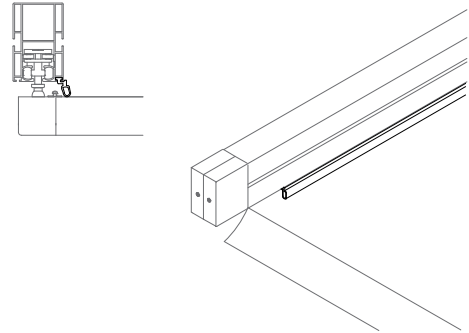


Installation Bracket



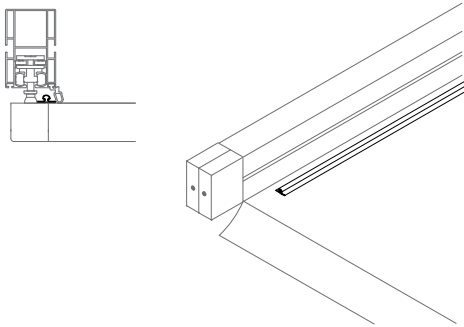
## F3 Eight wheel slider

Four horizontal & four vertical rollers working together for perfectly smooth operation every time. The F3 eight wheel system is proven to remove the jamming issue that occurs with the 4 wheel system and can take loads of upto 600KG.



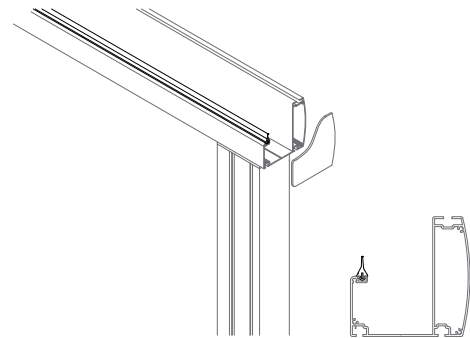
## Rafter stormguard edge seal

The rafter Stormguard edge seal stops water from dripping over the side of the system by providing a soft cushioning barrier along the side of the system.



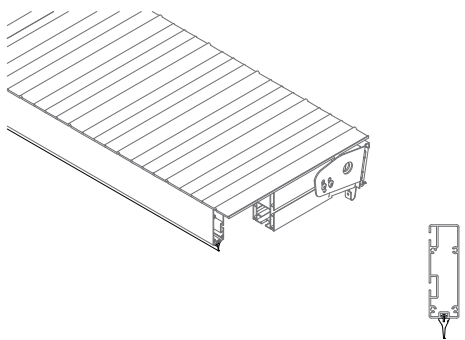
## Fabric anti-drop edge cord with electrical cable

The fabric anti-drip edge cord with integrated lighting electrical cable works in conjunction with the Stormguard edge seal to prevent any water leaks over the side of the system.



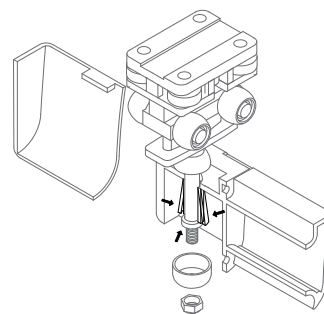
## Gutter stormguard seal

The Stormguard gutter seal provides a perfect seal to prevent water leaks along the front of the system from driving rain or splashing from the gutter.



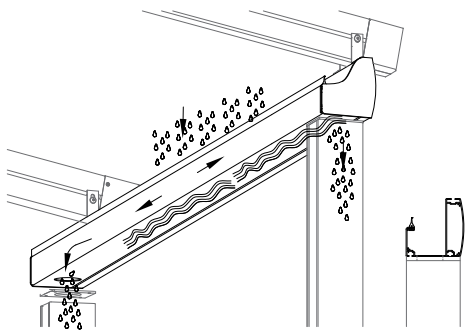
### Hood stormguard seal

The Stormguard hood seal provides the perfect seal to prevent driving rain & wind coming in under the hood profiles.



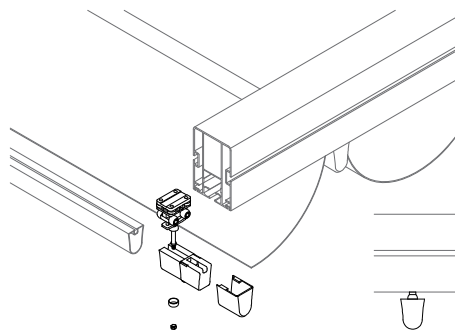
### F3 slider easy clip installation

The F3 system has been designed for ease of use, to save time on installations and reduce the number of staff required. Each F3 slider can take loads of upto 600KG once in place.



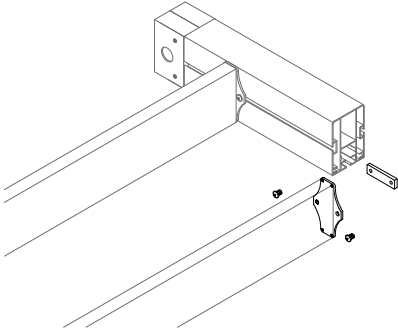
### Integrated gutter & internal drainage system

The integrated gutter system provides the perfect solution for water drainage.



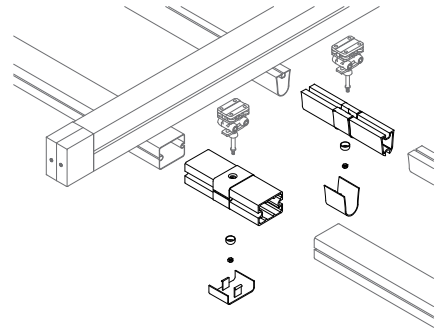
### F3 slider and fabric profile assembly

The system has been designed for ease of assembly to save time on installations and reduce the number of staff required.



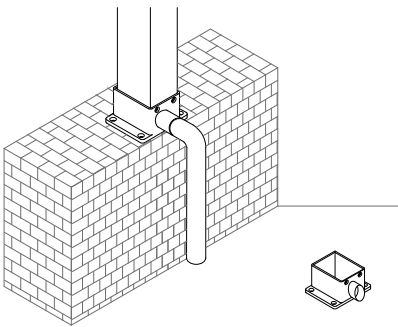
## Motorbox support & hood support profile easy installation

Each support profile is easy to install and simple to adjust at the time of installation.



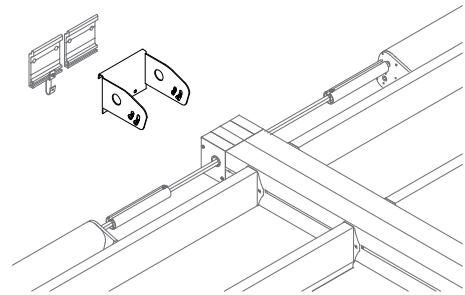
## Easy clip intermediate joints (for 2 & 3 module systems)

The Easy clip intermediate joints have been designed for ease of site assembly to save time and reduce the number of staff required.



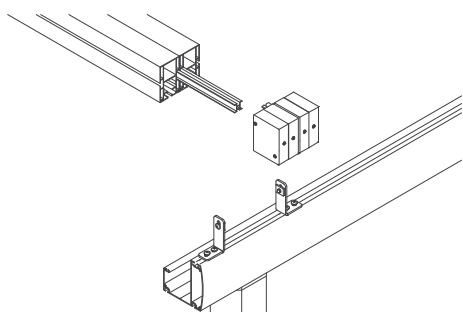
## Base plate with external spout

This base plate provides a water dispersal solution.



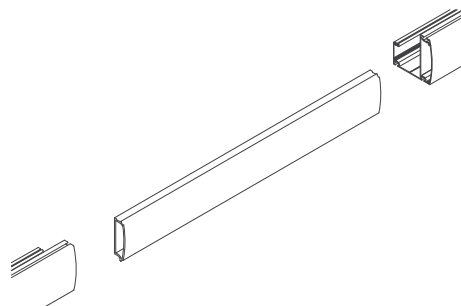
## Double rafter wall bracket kit

An advanced solution for installing two rafter's at once.



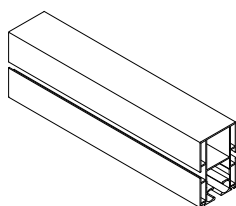
### Storm channel for joining system

The storm channel is patented solution for joining two systems side by side with a waterproof join.



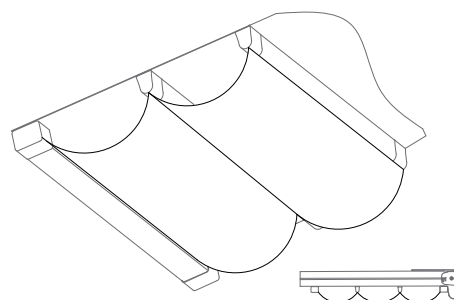
### Gutter profile joining piece

A smart solution for joining the gutter profile.



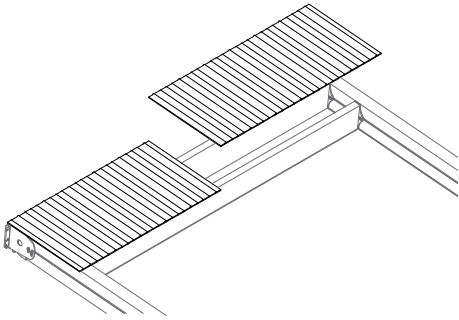
### Rafter profile with water guard side channels

The Suntech rafter profiles are designed with water guard side channels for easy installation and to prevent water from entering.



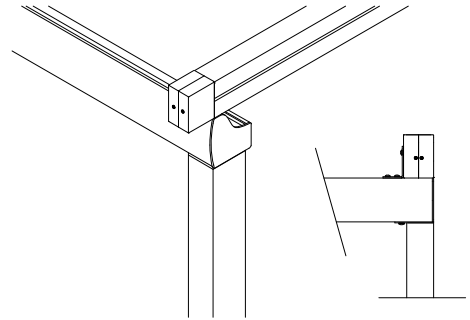
### Decorative fabric under layer

The second decorative fabric under layer of fabric can provide an elegant touch of class.



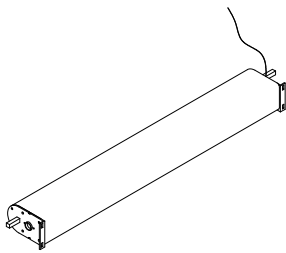
## Hood profile sheets

Suntech's hood profile sheets provide an attractive covering solution for the system when not in use. The low profile aesthetic design offer added protection to the system with a chic touch.



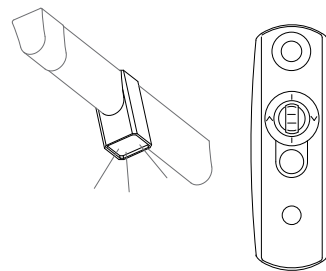
## Gutter flush with rafter

Gutter solution for when the system is installed next to a wall or no overhang of the gutter is required.



## Compact 26rpm direct drive motor box

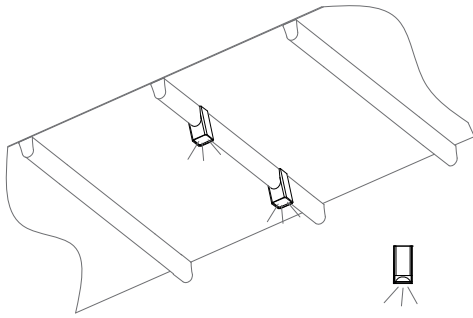
The Suntech direct drive motor system is a quick and efficient system that drives all conveyer rafters at the same time. The low profile design also allows the fabric to be stored underneath the motor which saves additional space.



## LED-TEC dimmer setup

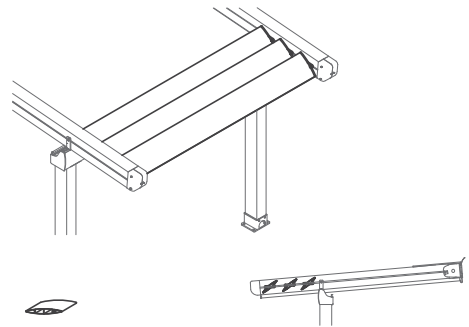
LED-TEC dimmer lighting is a integrated lighting solution that can be added to any Suntech system.





### LED-TEC high powered lighting

LED-TEC lighting is a integrated lighting solution that can be added to any Suntech system.

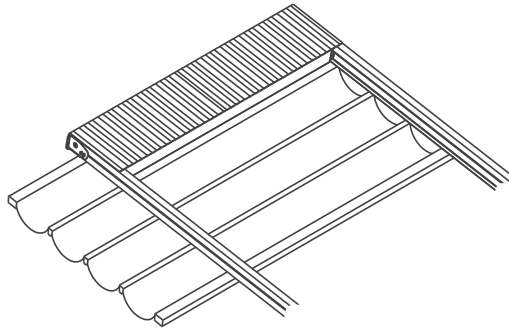


### Aerofoil Louvres

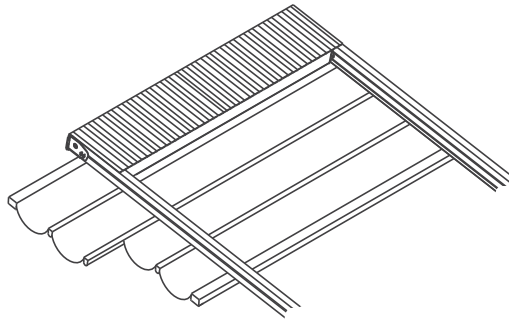
The addition of Aerofoil louvres can provide added shade when the system is closed.

# Novo

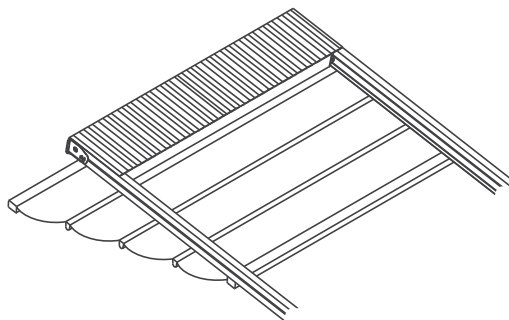
type I



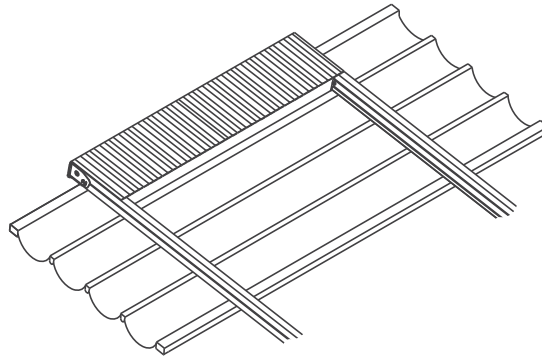
type II



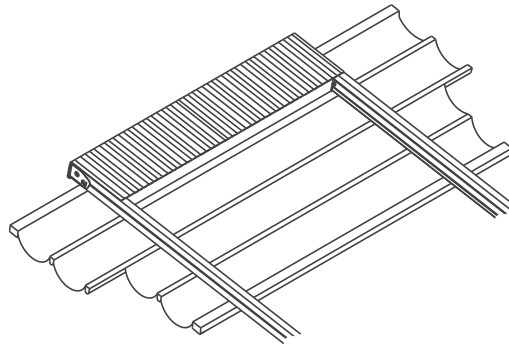
type III



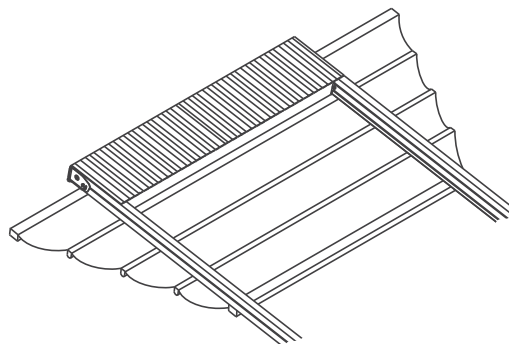
type IV



type V



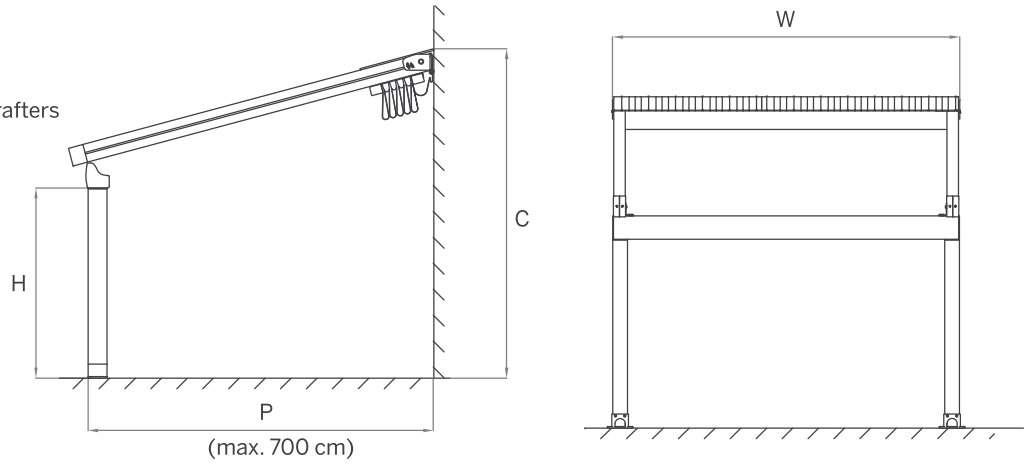
type VI



Each system is available with an optional overhang to allow the covered area to protrude past the rafter profile. Site specific overhang solutions such as stepped or wedge shapes are also an effective way to get maximum coverage for your area.

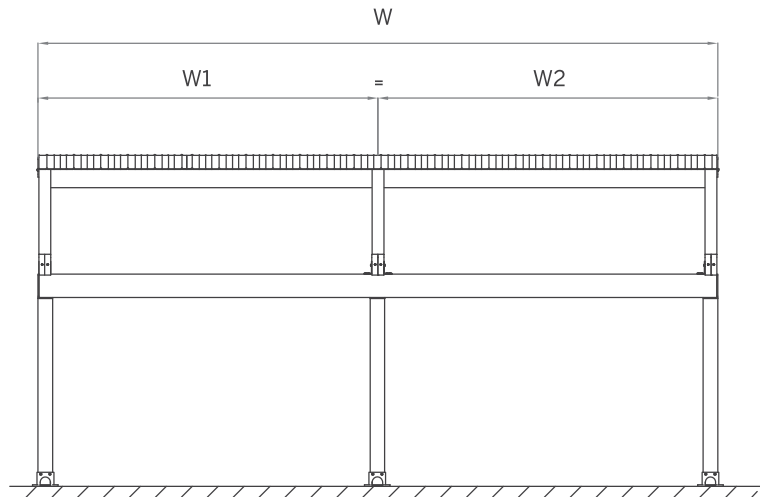
## One Module

200 cm > 450 cm  
One Module with one motor & 2 rafters



## Two Modules

450 cm > 900 cm  
Two Modules with one motor & 3 rafters



## Three Modules

900 cm > 1300 cm  
Three Modules with one motor & 4 rafters

