





Tr 110x160 mm ebatlarındaki kavisli taşıyıcı ray profilleri ile maksimum 11 m' açılım sağlanabilen, ön oluk entegreli açılır-kapanır pergola sistemi.

En Retractable curved pergola system, curved conveyor rafters with max. 11 m projection with 110x160 mm conveyor rafter profiles (Integrated front gutter).

Es Pérgola de lona móvil curvada, salida máxima de 11 m. Con guías curvadas de 110x160 mm (Canalón frontal integrado).

Fr Pergola de toile rétractable courbée, projection maximum de 11 mètres avec profils coulisses 110x160 mm (Gouttière frontale intégrée).

De 110x160 mm Größe Tragschiene Profile können mit einer maximalen 11 m Öffnung curved öffnen und schliessen Pergola-System zur Verfügung gestellt werden (Mit integrierte Ablaufsystem).

Tr RADIAN kavisli açılır-kapanır pergola sistemi, açık alanların kötü hava koşullarında bile yıllarca kullanılmasına olanak veren modern bir çözümdür. Beaufort rüzgar skalası 11 şiddetine (117 km/saat) dayanabilen sistem, kara, yağmura ya da güneş ışığına karşı dayanıklı olarak tasarlanmıştır.

Standart donanım olarak sunulan Stormguard fitil ve conta sistemi, tüm olumsuz kötü hava koşullarında mekan içerisine su ve hava girmesini engelleyebiliyor. Üst düzey korumaya yönelik Stormguard fitiller, kumaşta, raylarda, ön profilde ve arka çatı giriş desteğinde; Stormguard contalar ise kumaşı tutan F3 arabalarda monteli olarak bulunuyor. Stormguard yağmura karşı temel koruma sağlamaya ve dışarıdan giren sızmaları önlemeye uygun bir sistemdir. Stormguard, mümkün olan en iyi korumayı uzun yıllar sağlamak ve sıcaklık değişiminin neden olduğu çatlamalardan etkilenmemek için ekstra yumuşak ve ekstra esnek kauçuktan elde ediliyor.

En The RADIAN curved retractable pergola system provides a modern outdoor covering system to allow outdoor areas to be used in even the worst of weather conditions. The system offers a wind rating up to Beaufort class 11 (Up to 117 km/h) and is designed to stand up to even the worst of conditions rain, hail or shine.

To ensure the highest level of protection Suntech systems focus on all the details, this is why all Suntech systems come standard finished with Stormguard Soft Touch edge seal on all parameters. Stormguard provides the ultimate protection against rain and draught intrusion around the outside of the system and is only available on our systems. Stormguards Soft Touch edge seal is produced from an extra soft & flexible rubber to ensure the best possible protection from the elements.

Es La Pérgola de Iona móvil curvada RADIAN proporciona una moderna solución permitiendo utilizar áreas de exterior en cualquier condición climatológica. Ofrece una resistencia al viento clase 11 de la escala Beaufort (Hasta 117 km/h) y está diseñado para soportar cualquier climatología ya sea bajo la lluvia o el sol.

Para asegurar el máximo nivel de protección los sistemas Suntech se centran en todos los detalles, es por esto que todos los sistemas Suntech vienen acabados de serie con el sistema de protección Stormguard Soft Touch, que proporciona la más novedosa protección contra la entrada de agua alrededor del sistema y sólo disponible para nuestros sistemas. Stormguard Soft Touch se fabrica on una goma extra blanda y flexible para asegurar la mejor protección.

Fr La pergola en toile rétractable courbée RADIAN offre une solution moderne, qui permet son utilisation par n'importe qu'elles conditions climatiques. Résistance au vent de classe 11 sur l'échelle de Beaufort (Jusqu'à 117 km/h). elle est étudiée pour supporter n'importe qu'elle situation climatique, grêle, pluie et soleil.

Afin d'assurer le niveau maximum de protection des systèmes. Suntech se concentre sur tous les détails, c'est pourquoi toutes ces modèles sont assemblés de série avec le système Stormguard Soft Touch qui assure la meilleure protection contre les entrées d'eau. Cette protection est exclusivement disponible pour nos produits. Stormguard Soft Touch est fabriqué dans un caoutchouc ultra souple et flexible pour assurer la meilleure protection.

De Der RADIAN gebogenen versenkbare Pergola-System bietet eine moderne Outdoor-Abdeckung System zu ermöglichen Außenbereich selbst in den schlimmsten Wetterbedingungen eingesetzt werden. Das System bietet eine Wind-Rating bis zur Klasse 11 (Bis zu 117 km / h) Beaufort und ist entworfen, um sich gegen die schlimmsten Bedingungen regen, Hagel oder Sonnenschein sogar.

Um sicherzustellen, das höchste Niveau an Schutz Suntech-Systeme Fokus auf alle Details, das ist, warum alle Suntech-Systeme Standard fertig sind mit Stormguard Soft Touch Randverbund auf alle Parameter. Stormguard bietet den ultimativen Schutz gegen regen und Entwurf Intrusion um die Außenseite des Systems und ist nur verfügbar, die auf unseren Systemen. Stormguards Soft Touch Randverbund ist aus extra weichem und flexiblem Gummi hergestellt, um den bestmöglichen Schutz vor den Elementen zu gewährleisten.







Width up to 13mt in single fabric

Tek parça kumaş ile 13 mt cephe genişliği

Ancho hasta 13 m con lona de una pieza

Largeur maximum 13 mètres avec une seule toile

Breite bis 13m in einzelnen Stoff



Sistem ve aydınlatma için uzaktan kumanda ile kontrol

Remote control operation for system and lighting

Accionamiento del motor y del sistema de iluminación mediante mando a distancia

Commande du moteur et du système d'éclairage par télécommande

Bedienung durch die Fernbedienung für Anlage und Beleuchtung

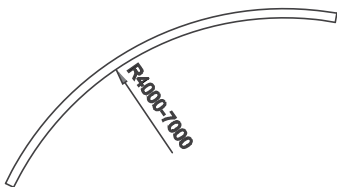
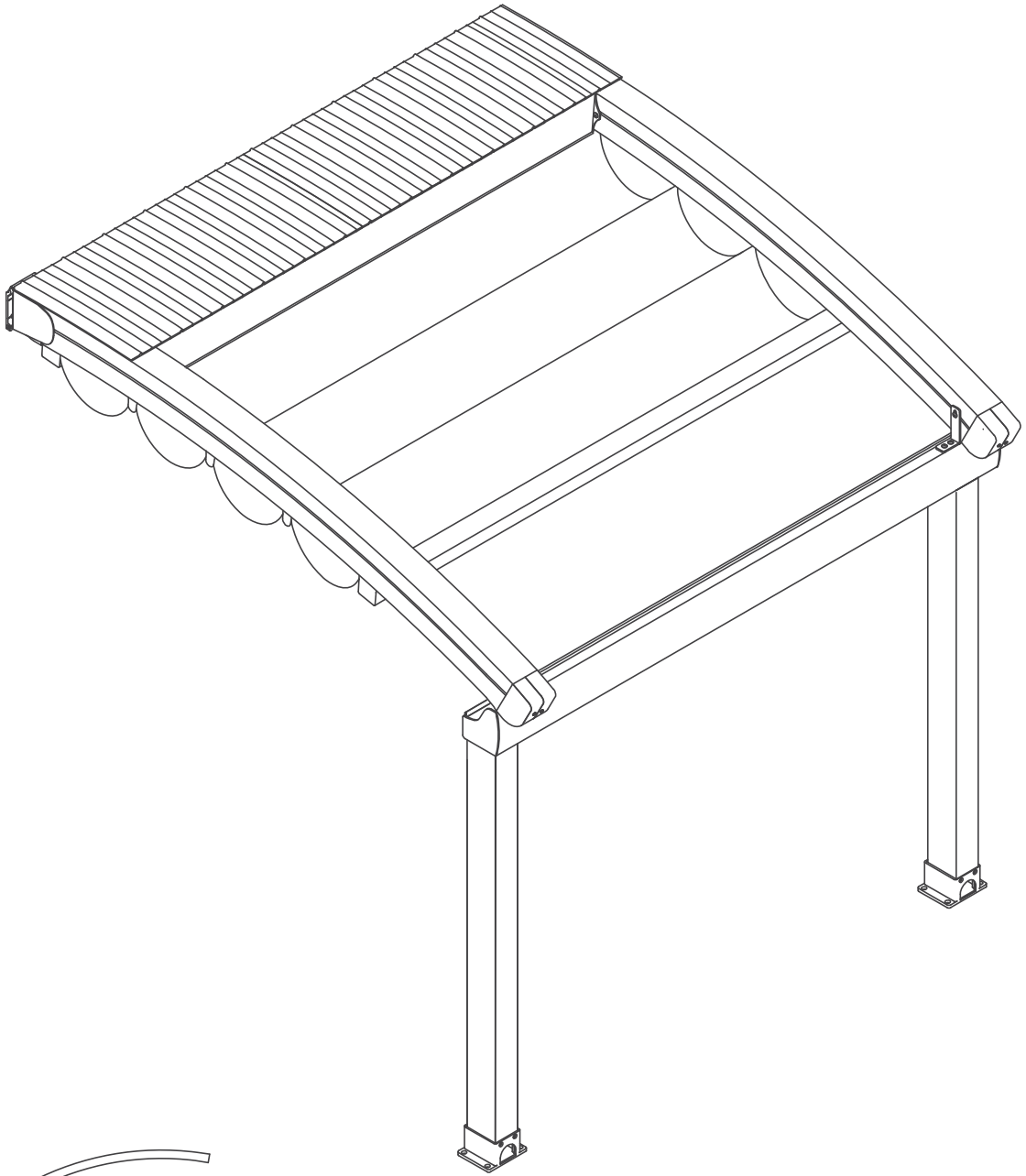








Radian



Radian retractable curved pergola system

The RADIAN retractable curved pergola system provides a modern outdoor covering system to allow outdoor areas to be used in even the worst of weather conditions. The system offers a wind rating up to Beaufort class 11 (up to 117km/h) and is designed to stand up to even the worst of conditions rain, hail or shine.

The system is manufactured to size using high grade 6063 extruded aluminium profiles finished with thermosetting powder coating which provides superior overall performance for exterior product applications. All bolts, screws and pins are high grade stainless steel to ensure extended system life.

The RADIAN curved rafter profiles (LT: 80mm x 125mm / XL: 110mm x 160mm) have been designed with unique water guard side channels and cast aluminium end plates to allow for projections up to LT: 7m / XL: 11m per system. Widths are customised according to site requirements and available in any size up to 13m. The RADIAN system offers up to LT: 91sqm / XL: 143sqm of protection at the touch of a button but when required linking multiple systems is also possible and made easy by our patented storm channel joining system that ensures 100% waterproof join every time.

Remote controlled motorisation is provided by utilising European technology through a custom built direct drive motor system to ensure smooth and quick operation at 26RPM. The optional hi powered LED-TEC lighting system provides a practical touch of class and when coupled with a remote dimming controller allows the user to change the mood to suit the surrounding environment.

The heart of the system is driven by the Suntech F3 eight wheel slider carriages (each F3 slider carriage has a load limit of 600kgs) that incorporates a triple layer barrier system and works in conjunction with a timing belt that has been reinforced with multiple internal stainless steel cables to provide a pulling strength of over 966kg. It's this tension that is applied to the fabric membrane to allow an angle of 6 degrees fall possible and ensure all water drains away in the internal gutter system.

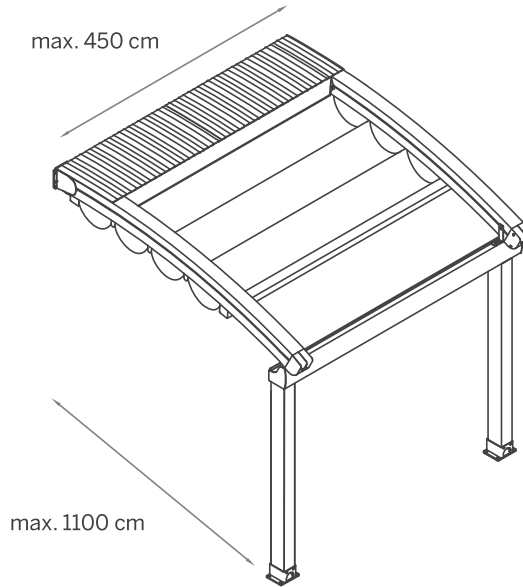
The fire rated and 100% waterproof architectural membrane is available in a range of colours in both opaque and transparent that provides maximum stability and resistance to temperature, moisture and dirt. It does not shrink or bag, and the acrylic top coating makes it very easy to clean for years to come. When not in use the fabric is neatly retracted under the systems hood to provide protection from the elements when not required.

To ensure the highest level of protection Suntech systems focus on all the details, this is why all Suntech systems come standard finished with Stormguard soft touch edge seal on all parameters. Stormguard provides the ultimate protection against rain and draught intrusion around the outside of the system and is only available on our systems. Stormguards soft touch edge seal is produced from an extra soft & flexible rubber to ensure the best possible protection from the elements.

Radian

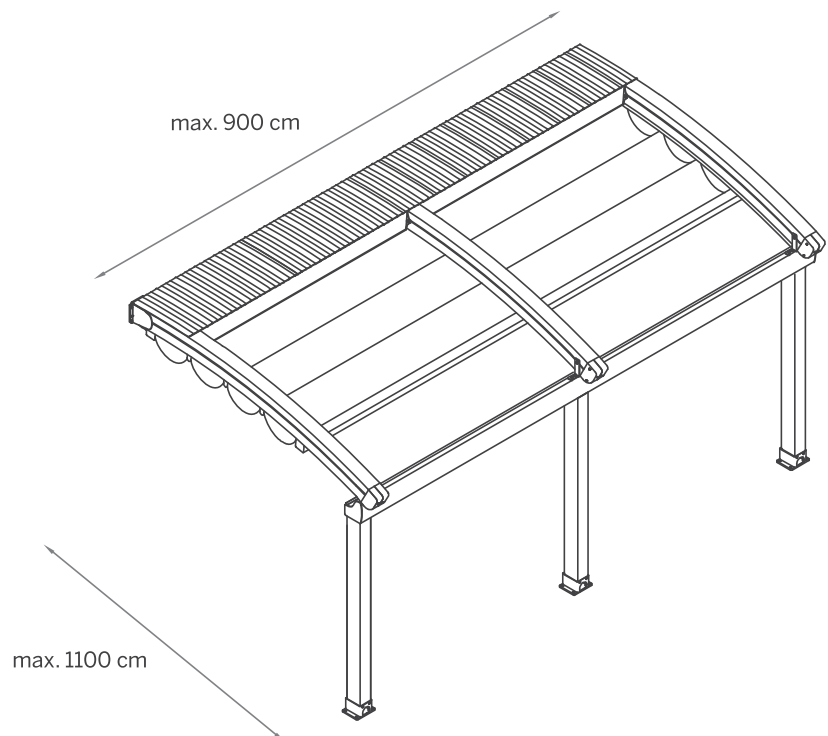
One Module

200 cm > 450 cm
One Module with one motor & 2 rafters



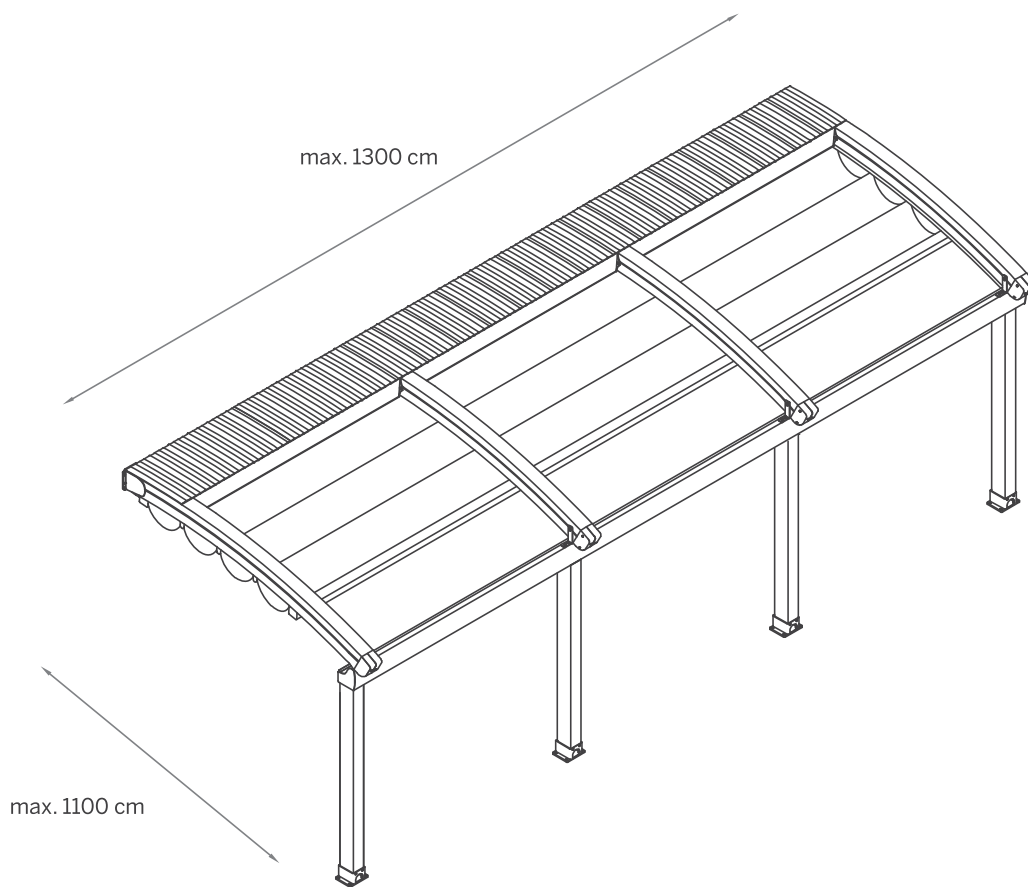
Two Modules

450 cm > 900 cm
Two Modules with one motor & 3 rafters

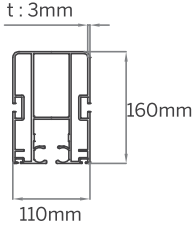
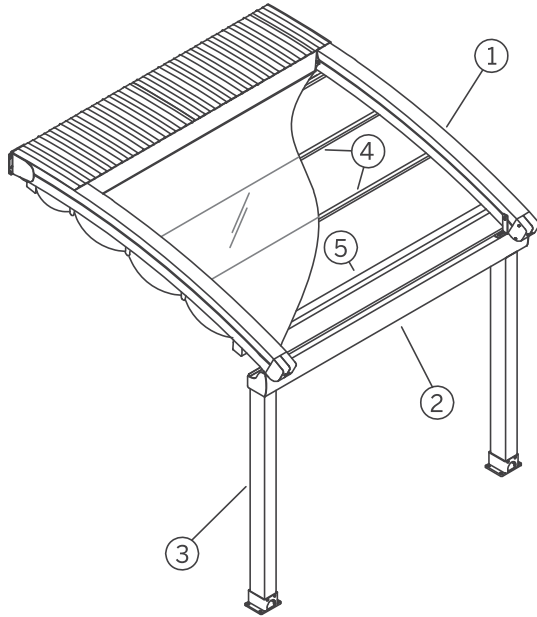


Three Modules

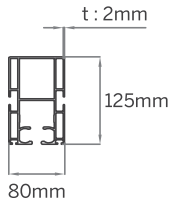
900 cm > 1300 cm
Three Modules with two motor & 4 rafters



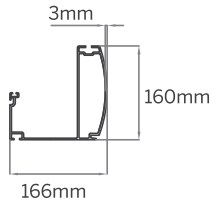
Radian



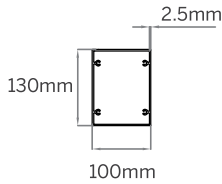
① Rafter



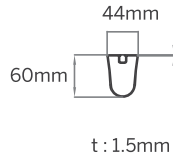
LT



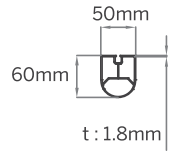
② Gutter



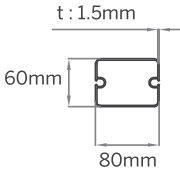
③ Post



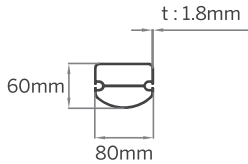
④ Fabric Support (Standart)



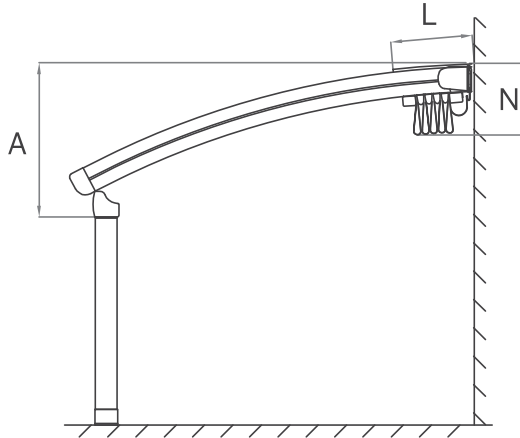
④ Fabric Support (HDD Lux)



⑤ Puller Profile (Standart)



⑤ Puller Profile (HDD Lux)



Radian LT

	Fabric Height	Hood	Fall	Fab.Sup.Profiles
	(N*) mm	(L*) mm	(A*) mm	pc*
300	387	727	837	8
350	389	772	988	9
400	393	830	1032	10
450	396	876	1214	11
500	396	948	1333	12
550	404	1034	1434	14
600	409	1110	1510	15
650	410	1153	1555	16
700	415	1190	1749	17

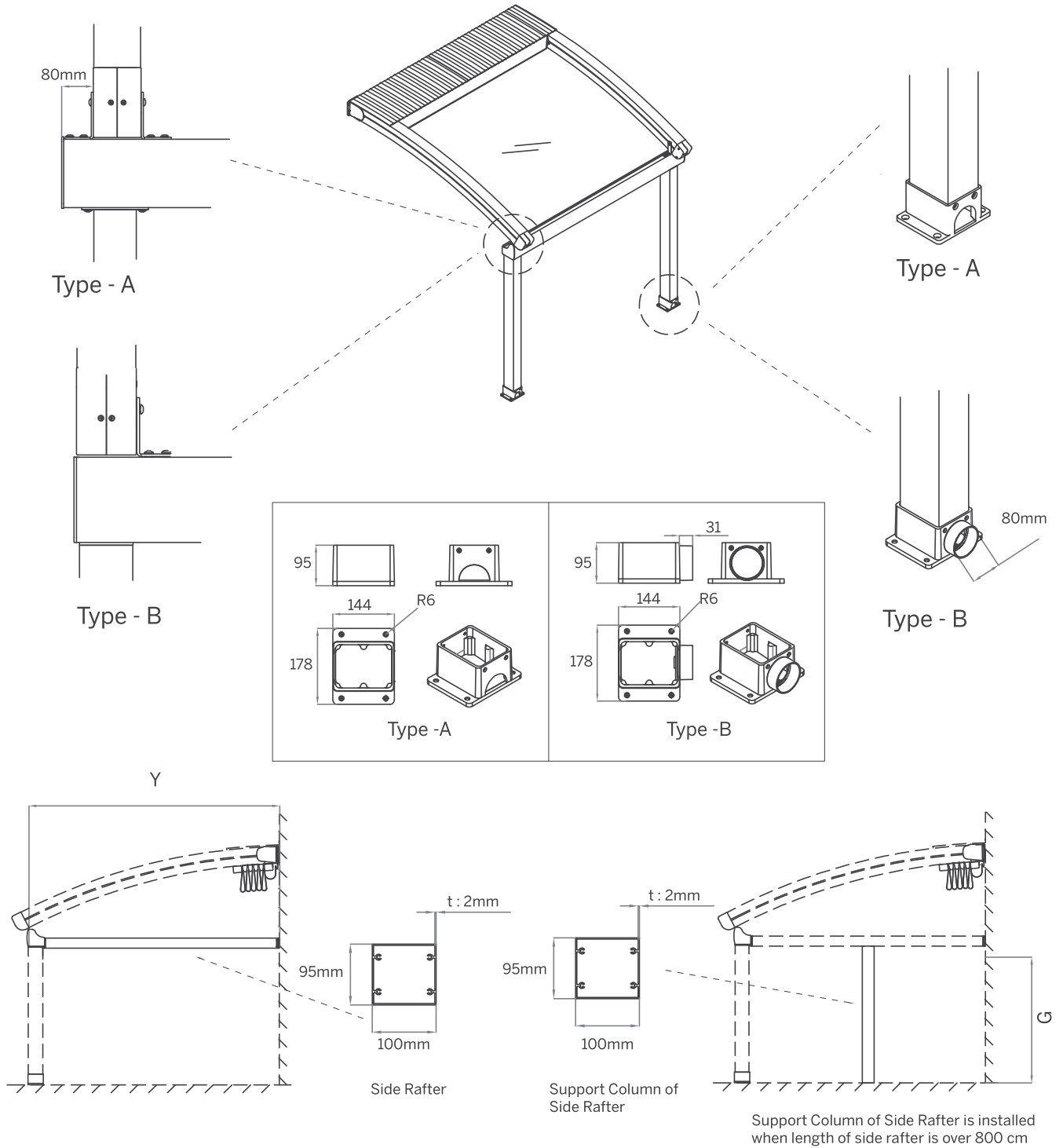
*Values can vary by different radius values.

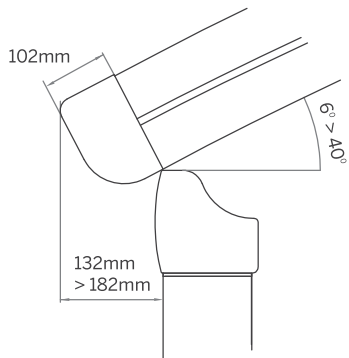
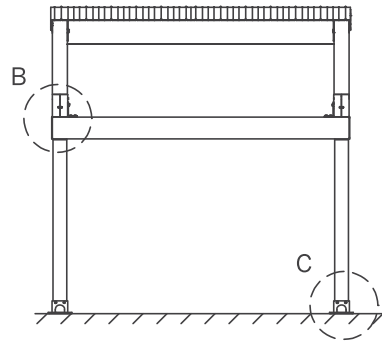
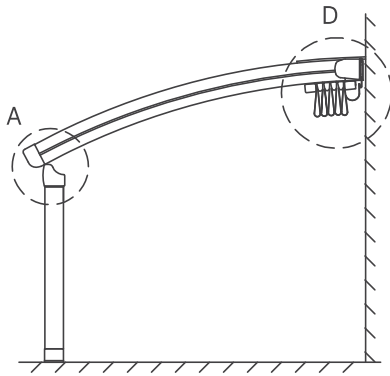
Radian XL

	Fabric Height	Hood	Fall	Fab.Sup.Profiles
	(N*) mm	(L*) mm	(A*) mm	pc*
300	412	707	866	8
350	415	745	1018	9
400	418	801	1112	10
450	421	857	1243	11
500	421	908	1363	12
550	430	1027	1462	14
600	434	1083	1538	15
650	436	1133	1583	16
700	440	1190	1778	17
750	440	1241	1563	18
800	444	1297	1723	19
850	446	1342	1894	20
900	450	1409	2075	21
950	454	1459	1925	22
1000	457	1572	2087	24
1050	461	1626	2256	25
1100	465	1682	2436	26

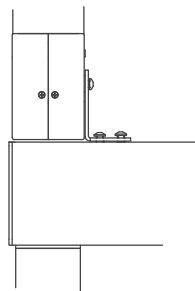
*Values can vary by different radius values.

Radian

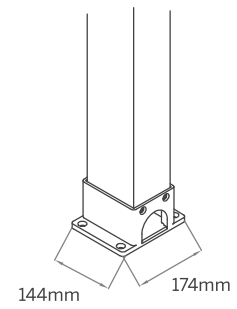




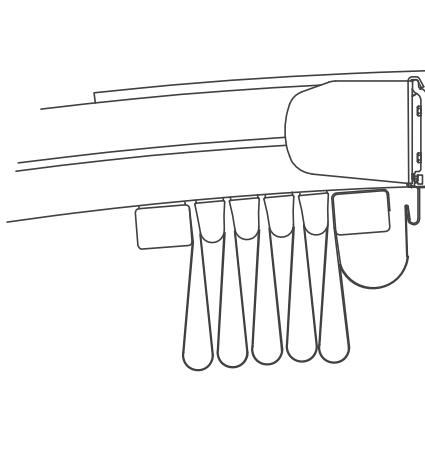
DETAIL A



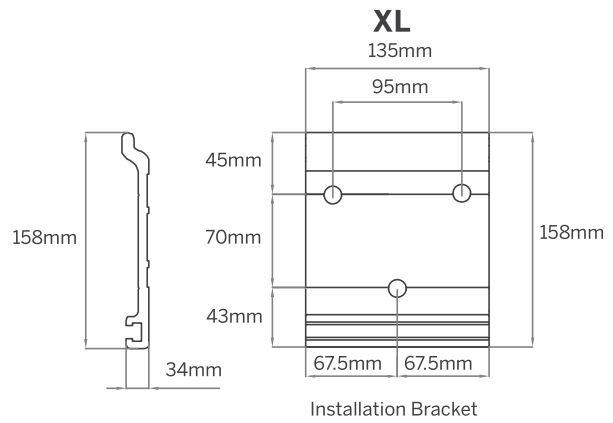
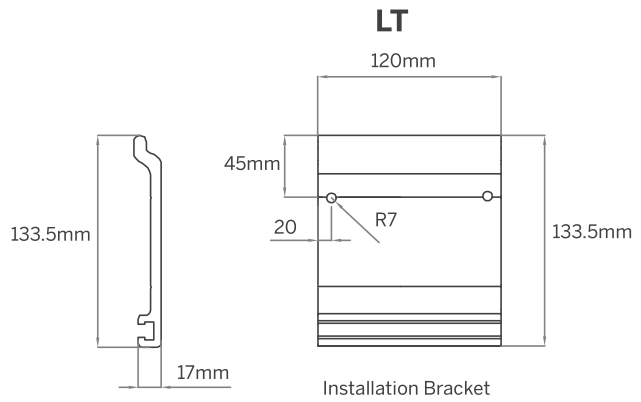
DETAIL B



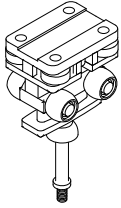
DETAIL C



DETAIL D

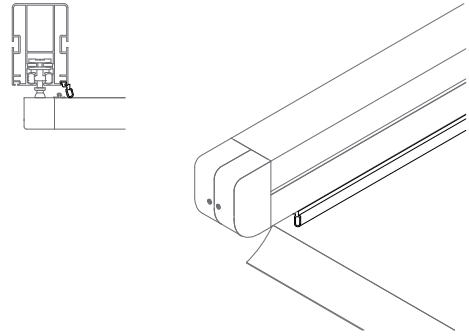


Radian



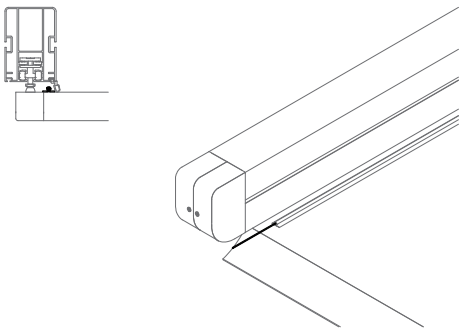
F3 Eight wheel slider

Four horizontal & four vertical rollers working together for perfectly smooth operation every time. The F3 eight wheel system is proven to remove the jamming issue that occurs with the 4 wheel system and can take loads of upto 600KG.



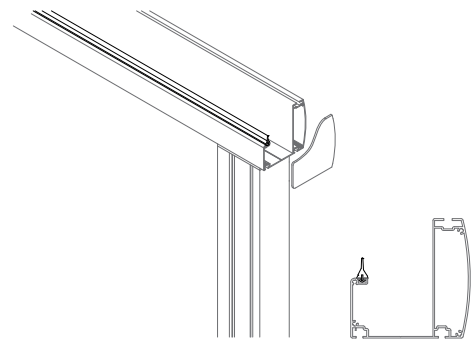
Rafter stormguard edge seal

The rafter Stormguard edge seal stops water from dripping over the side of the system by providing a soft cushioning barrier along the side of the system.



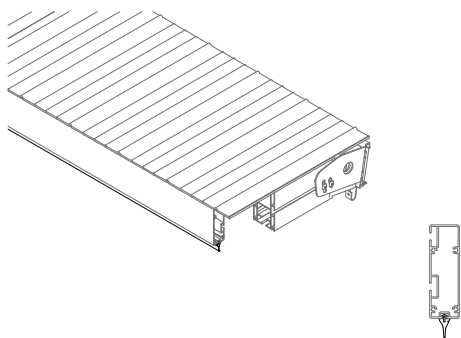
Fabric anti-drop edge cord with electrical cable

The fabric anti-drip edge cord with integrated lighting electrical cable works in conjunction with the Stormguard edge seal to prevent any water leaks over the side of the system.



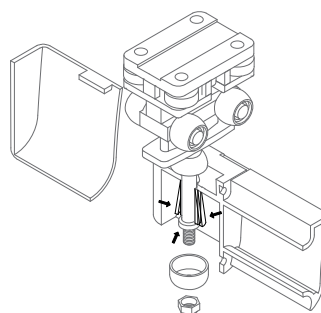
Gutter stormguard seal

The Stormguard gutter seal provides a perfect seal to prevent water leaks along the front of the system from driving rain or splashing from the gutter.



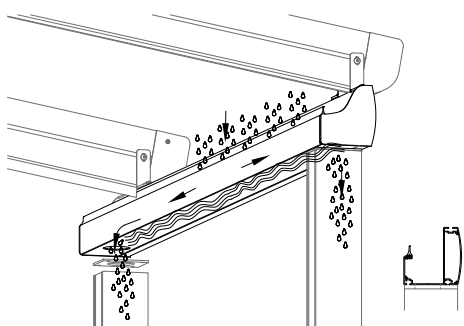
Hood stormguard seal

The Stormguard hood seal provides the perfect seal to prevent driving rain & wind coming in under the hood profiles.



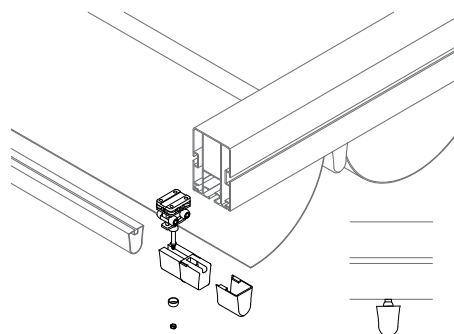
F3 slider easy clip installation

The F3 system has been designed for ease of use, to save time on installations and reduce the number of staff required. Each F3 slider can take loads of upto 600KG once in place.



Integrated gutter & internal drainage system

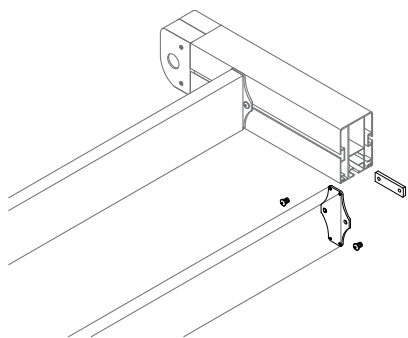
The integrated gutter system provides the perfect solution for water drainage.



F3 slider and fabric profile assembly

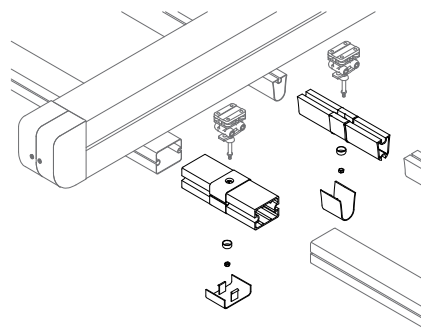
The system has been designed for ease of assembly to save time on installations and reduce the number of staff required.

Radian



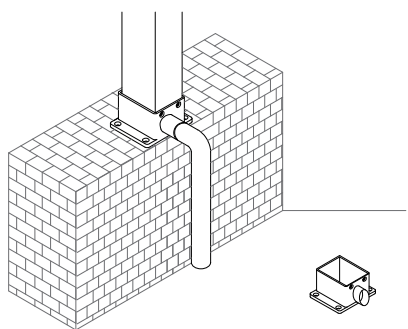
Motorbox support & hood support profile easy installation

Each support profile is easy to install and simple to adjust at the time of installation.



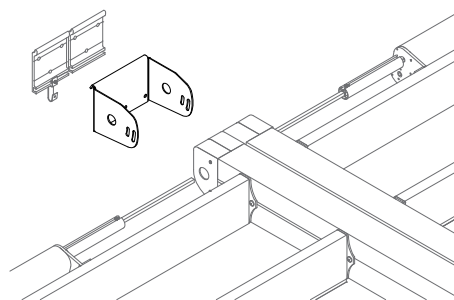
Easy clip intermediate joints (for 2 & 3 module systems)

The Easy clip intermediate joints have been designed for ease of site assembly to save time and reduce the number of staff required.



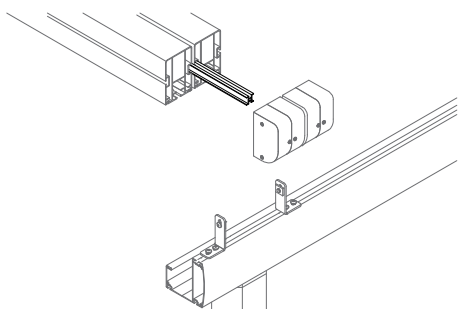
Base plate with external spout

This base plate provides a water dispersal solution.



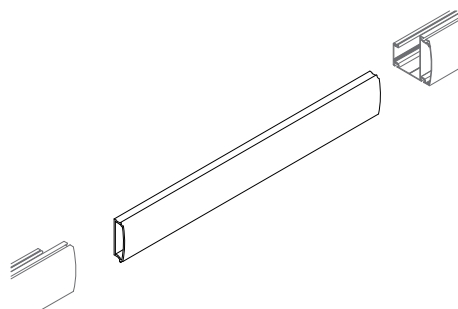
Double rafter wall bracket kit

An advanced solution for installing two rafter's at once.



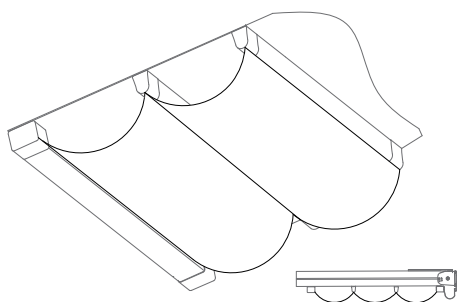
Storm channel for joining system

The storm channel is patented solution for joining two systems side by side with a waterproof join.



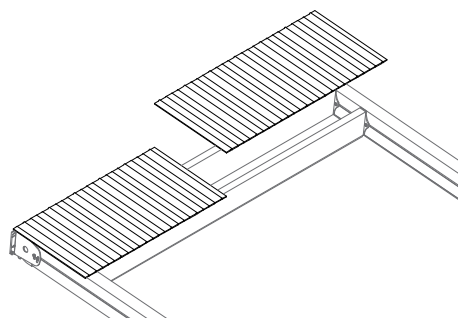
Gutter profile joining piece

A smart solution for joining the gutter profile.



Decorative fabric under layer

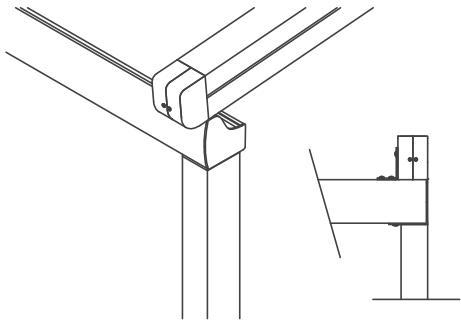
The second decorative fabric under layer of fabric can provide an elegant touch of class.



Hood profile sheets

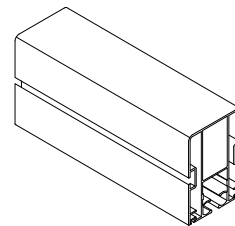
Suntech's hood profile sheets provide an attractive covering solution for the system when not in use. The low profile aesthetic design offer added protection to the system with a chic touch.

Radian



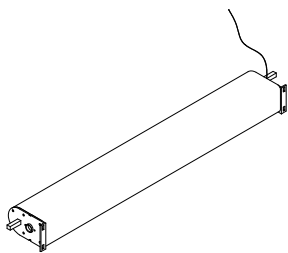
Gutter flush with rafter

Gutter solution for when the system is installed next to a wall or no overhang of the gutter is required.



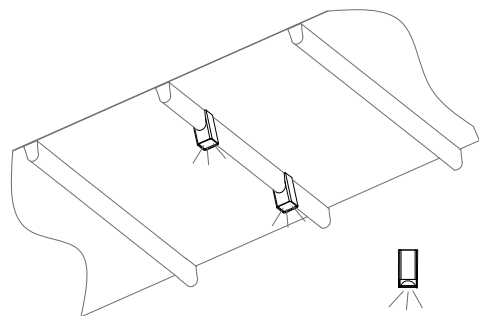
Rafter profile with water guard side channels

The Suntech rafter profiles are designed with water guard side channels for easy installation and to prevent water from entering.



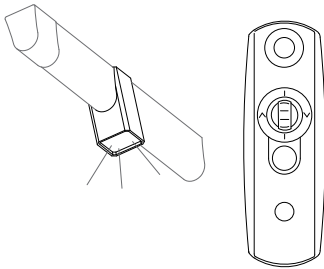
Compact 26rpm direct drive motor box

The Suntech direct drive motor system is a quick and efficient system that drives all conveyer rafters at the same time. The low profile design also allows the fabric to be stored underneath the motor which saves additional space.



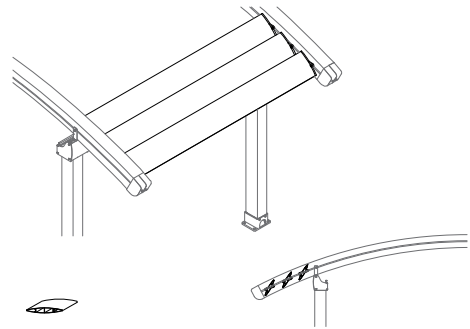
LED-TEC high powered lighting

LED-TEC lighting is an integrated lighting solution that can be added to any Suntech system.



LED-TEC dimmer setup

LED-TEC dimmer lighting is an integrated lighting solution that can be added to any Suntech system.

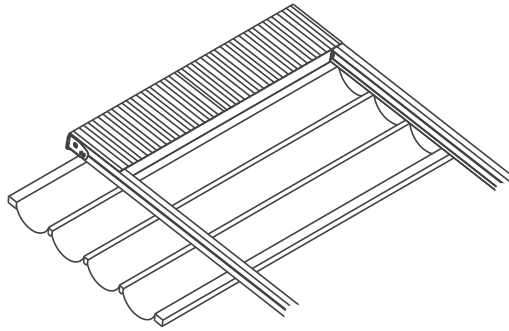


Aerofoil Louvres

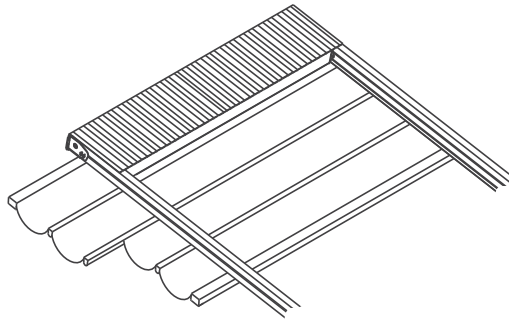
The addition of Aerofoil louvres can provide added shade when the system is closed.

Radian

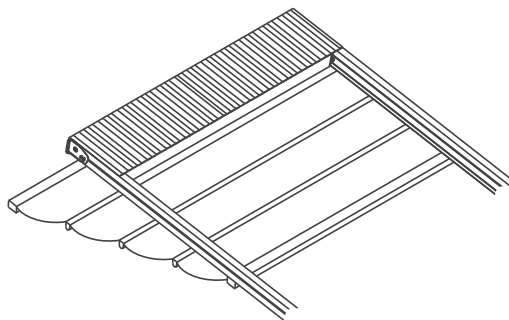
type I



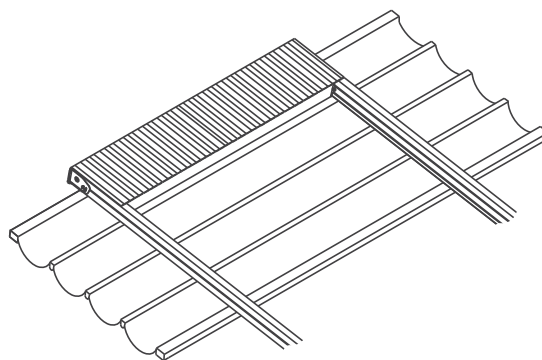
type II



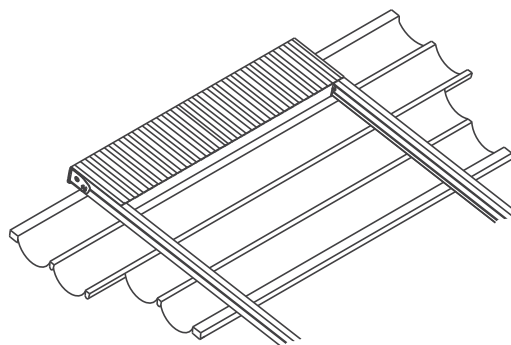
type III



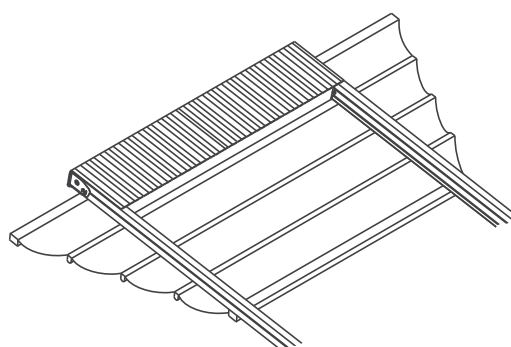
type IV



type V



type VI

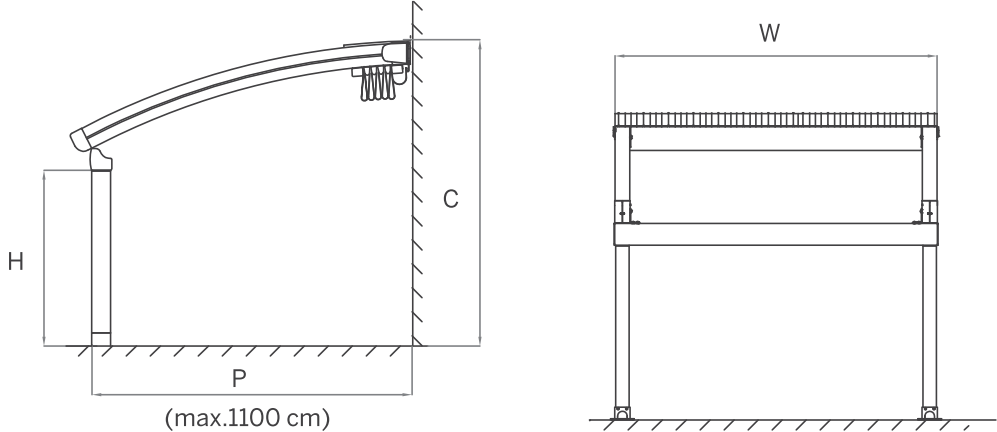


Each system is available with an optional overhang to allow the covered area to protrude past the rafter profile. Site specific overhang solutions such as stepped or wedge shapes are also an effective way to get maximum coverage for your area.

Radian

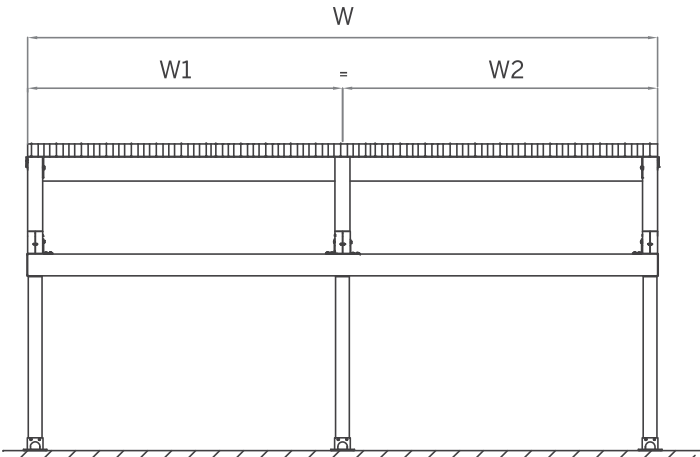
One Module

200 cm > 450 cm
One Module with one motor & 2 rafters



Two Modules

450 cm > 900 cm
Two Modules with one motor & 3 rafters



Three Modules

900 cm > 1300 cm
Three Modules with two motor & 4 rafters

