



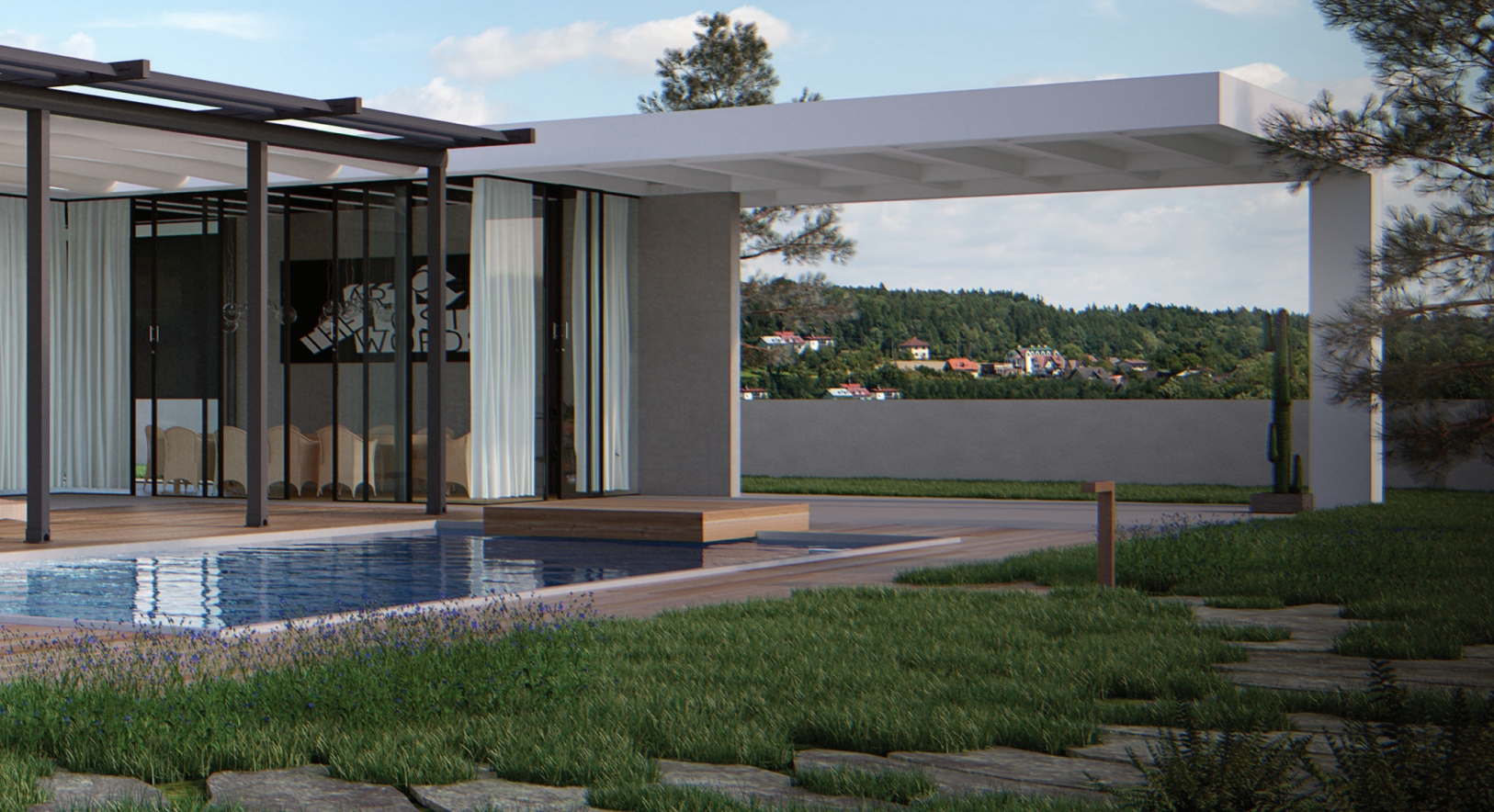
Tr 110x160 mm ebatlarındaki taşıyıcı ray profilleri ile maksimum 8 mt açılım sağlanabilen, ön oluk entegreli açılır-kapanır pergola sistemi .

En Retractable pergola system, max.8 mt projection with 110x160 mm conveyor rafter profiles (Integrated front gutter).

Es Pérgola de lona móvil, salida máxima de 8 m. con guías de 110x160 mm. (Canalón frontal integrado).

Fr Pergola de toile rétractable, projection maximum de 8 mètres avec profils coulisses de 110x160 mm (Gouttière frontale intégrée).

De 110x160 mm große Öffnung kann durch die Tragschiene Profile zu einem Maximum von 8 m öffnen und schliessen Pergola-System zur Verfügung gestellt werden (Mit integrierte Ablaufsystem).



Sistem ve aydınlatma için uzaktan kumanda ile kontrol

Remote control operation for system and lighting

Accionamiento del motor y del sistema de iluminación mediante mando a distancia

Commande du moteur et du système d'éclairage par télécommande

Bedienung durch die Fernbedienung für Anlage und Beleuchtung





Tr Alev yürütmez ve %100 su geçirmez mimari blackout membran kumaş, maksimum stabilite ve sıcaklık, nem ve kir direnci sağlıyor. Üretim teknolojisi ile eşit esneme özelliğine sahip ve torbalanma yapmıyor. Akrilik üst kaplama, sonraki yıllar için temizlemeyi ve bakımı kolaylaştırıyor. Sistemdeki alüminyum koruma çatısı, kumaş kullanılmadığında koruma sağladığından kumaşın ömrü kısalıyor.

En The fire rated and 100% waterproof architectural membrane fabric is available in a range of colours in both opaque and transparent that provides maximum stability and resistance to temperature, moisture and dirt. It does not shrink or bag, and the acrylic top coating makes it very easy to clean for years to come. When not in use the fabric is neatly retracted under the systems hood to provide protection from the elements when not required.

Es La lona, de fabricación y resistente al fuego e impermeable está disponible en varios colores ya sea opaca o traslúcida, que proporciona la máxima estabilidad y resistencia a la temperatura, humedad y suciedad. No se encoge ni deforma, y el recubrimiento acrílico facilita su limpieza durante años. Cuando no está en uso la lona se recoge bajo un tejadillo que proporciona protección de los agentes externos.

Fr La toile de fabrication résiste au feu et est imperméable, elle est disponible dans divers coloris qu'elle soit opaque ou transparente, ce qui lui donne une tenue parfait et une très haute résistance aux changements de température, humidité et salissures. Elle ne rétrécit pas et ne se déforme pas, son revêtement acrylique facilite le nettoyage au cours des années. Quand elle n'est pas utilisée, elle est protégée des intempéries par un auvent.

De Feuerschutz- und 100% wasserdicht architektonischen Membran Stoff ist in verschiedenen Farben sowohl in opaken und transparenten, dass ein Maximum an Stabilität und Beständigkeit gegen Temperatur, Feuchtigkeit und Schmutz bietet. Es schrumpft nicht oder bildet kein Wassersack, und die Acryl-Beschichtung macht es sehr einfach, für die kommenden Jahre zu reinigen. Beim eingefahrener Zustand, wenn nicht in Gebrauch ist, ist das Gewebe ordentlich unter die Systeme Haube geschützt.









Tr FLAT açılır-kapanır pergola sistemi, açık alanların kötü hava koşullarında bile yıllarca kullanılmasına olanak veren şık çözümdür. Beaufort rüzgar skalası 11 şiddetine (117 km/saat) dayanabilen sistem, kara, yağmura ya da güneş ışığına karşı dayanıklı olarak tasarlanmıştır.

En The FLAT retractable pergola system provides a stylish architectural covering to allow large outdoor areas to be used in even the worst of weather conditions. The system offers a wind rating up to Beaufort class 11 (Up to 117km/h) and is designed to stand up to even the worst of weather conditions rain, hail or shine.

Es La Pérgola de lona móvil FLAT proporciona una solución de estilo arquitectónico permitiendo utilizar grandes áreas de exterior en cualquier condición climatológica. Ofrece una resistencia al viento clase 11 de la escala Beaufort (hasta 117km/h) y está diseñado para soportar cualquier climatología ya sea bajo la lluvia o el sol.

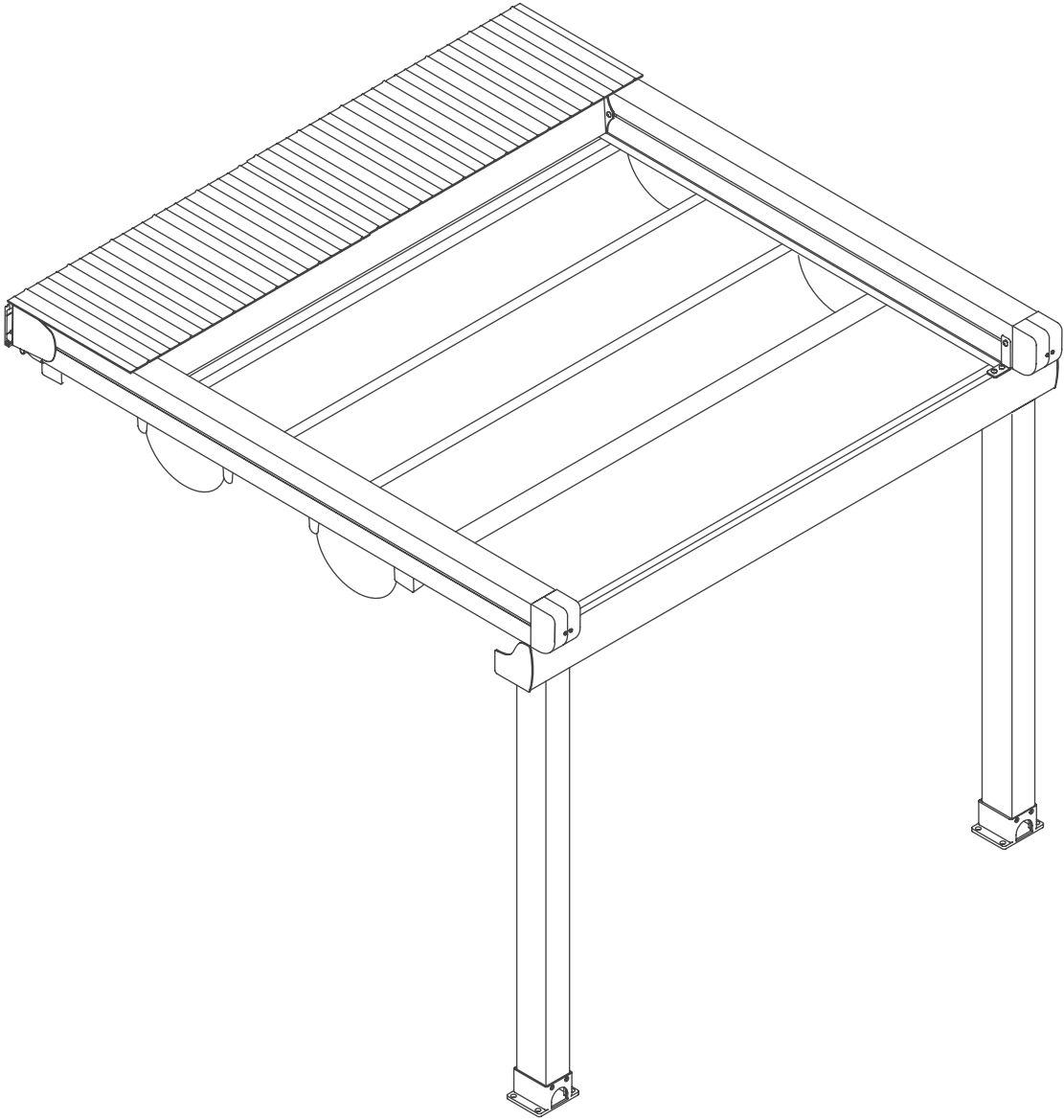
Fr La pergola en toile rétractable FLAT offre une solution de style architectural, qui peut être utilisée pour couvrir de grandes surfaces extérieure en toutes conditions climatiques. Résistance au vent de classe 11 sur l'échelle de beaufort (jusqu'à 117km/h). Elle est étudiée pour supporter n'importe qu'elle situation climatique, grêle, pluie et soleil.

De Die FLAT versenkbare Pergola-System bietet eine stilvolle Architektur abdecken, damit große Außenbereiche selbst in den schlimmsten Wetterbedingungen eingesetzt werden. Das System bietet einem Wind-Rating bis zur Klasse 11 (bis zu 117km / h), um sich gegen die schlimmsten Wetterbedingungen, starke Sonnenstrahlen, Regen, oder Hagel.





Flat



Flat retractable pergola system

The FLAT retractable pergola system provides a stylish architectural covering to allow large outdoor areas to be used in even the worst of weather conditions. The system offers a wind rating up to Beaufort class 11 (up to 117km/h) and is designed to stand up to even the worst of weather conditions rain, hail or shine.

The system is manufactured to size using high grade 6063 extruded aluminium profiles finished with thermosetting powder coating which provides superior overall performance for exterior product applications. All bolts, screws and pins are high grade stainless steel to ensure extended system life.

The FLAT rafter profiles (LT: 80mm x 125mm / XL: 110mm x 160mm) have been designed with unique water guard side channels and cast aluminium end plates to allow for projections up to LT: 6m / XL: 8m per system. Widths are customised according to site requirements and available in any size up to 13m. The FLAT system offers up to LT: 78sqm / XL: 104sqm of protection at the touch of a button but when required linking multiple systems is also possible and made easy by our patented storm channel joining system that ensures 100% waterproof join every time. The FLAT system also includes an integrated gutter system with internal drainage to carry away even the heaviest rain.

Remote controlled motorisation is provided by utilising European technology through a custom built direct drive motor system to ensure smooth and quick operation at 26RPM. The optional hi powered LED-TEC lighting system provides a practical touch of class and when coupled with a remote dimming controller allows the user to change the mood to suit the surrounding environment.

The heart of the system is driven by multiple Suntech F3 eight wheel slider carriages (each F3 slider carriage has a load limit of 600kgs) that incorporates a triple layer barrier system and works in conjunction with a timing belt that has been reinforced with multiple internal stainless steel cables to provide a pulling strength of over 966kg.

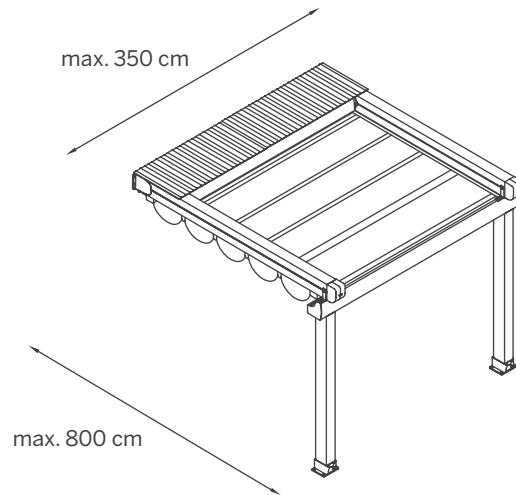
The fire rated and 100% waterproof architectural membrane is available in a range of colours in both opaque and transparent that provides maximum stability and resistance to temperature, moisture and dirt. It does not shrink or bag, and the acrylic top coating makes it very easy to clean for years to come. When not in use the fabric is neatly retracted under the systems hood to provide protection from the elements when not required.

Flat

One Side

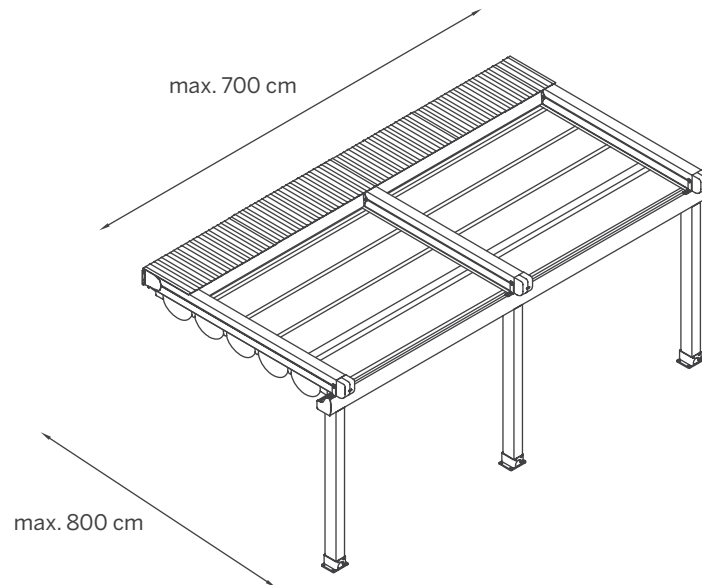
One Module

200 cm > 350 cm
One Module with one motor & 2 rafters



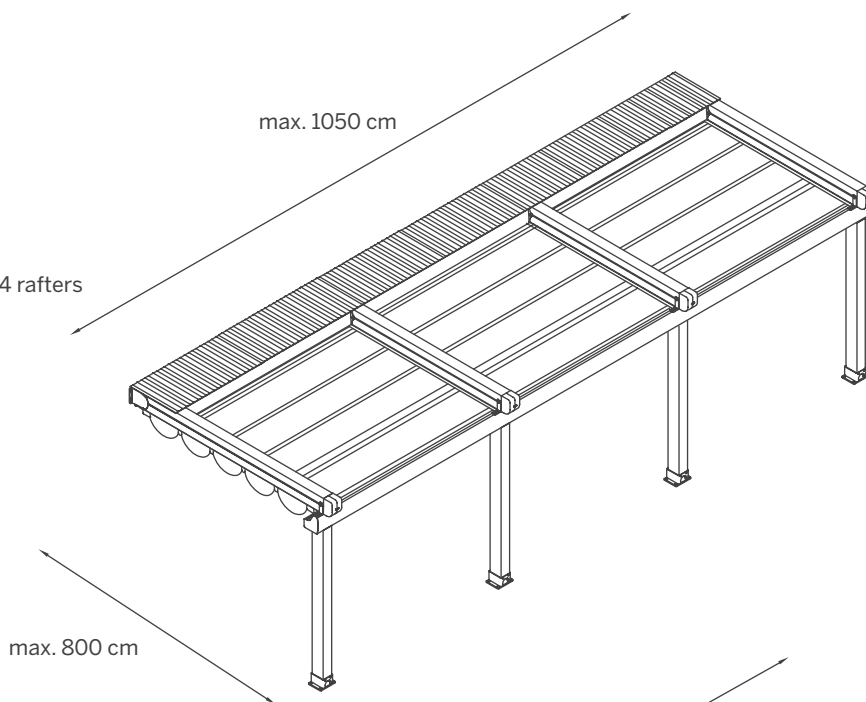
Two Modules

350 cm > 700 cm
Two Modules with one motor & 3 rafters



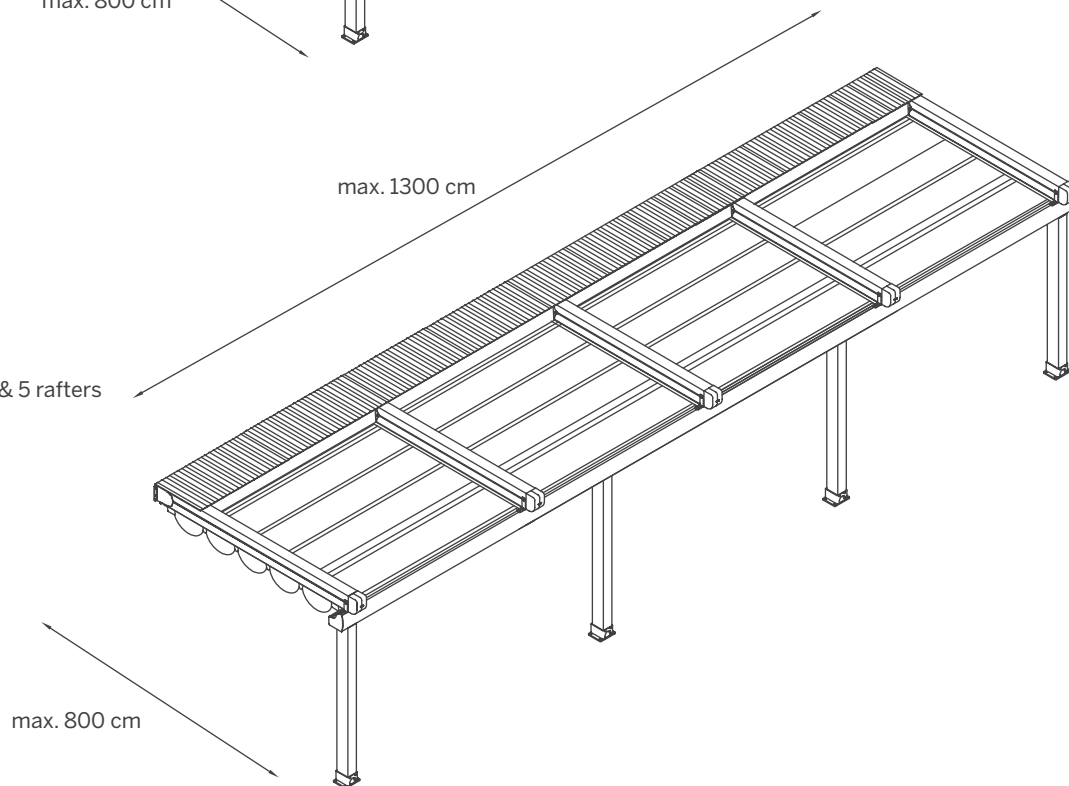
Three Modules

700 cm > 1050 cm
Three Modules with one motor & 4 rafters



Four Modules

1050 cm > 1300 cm
Four Modules with one motor & 5 rafters

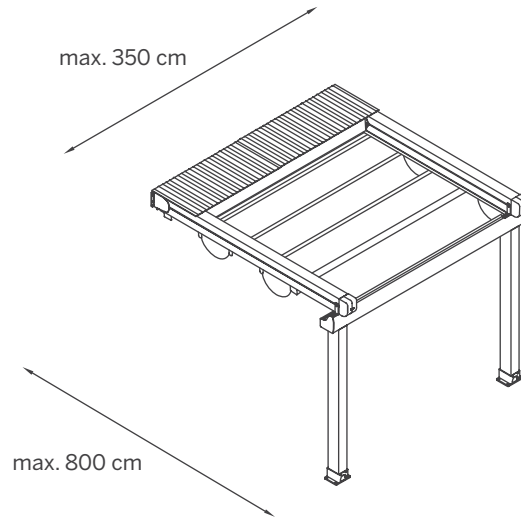


Flat

Alternating

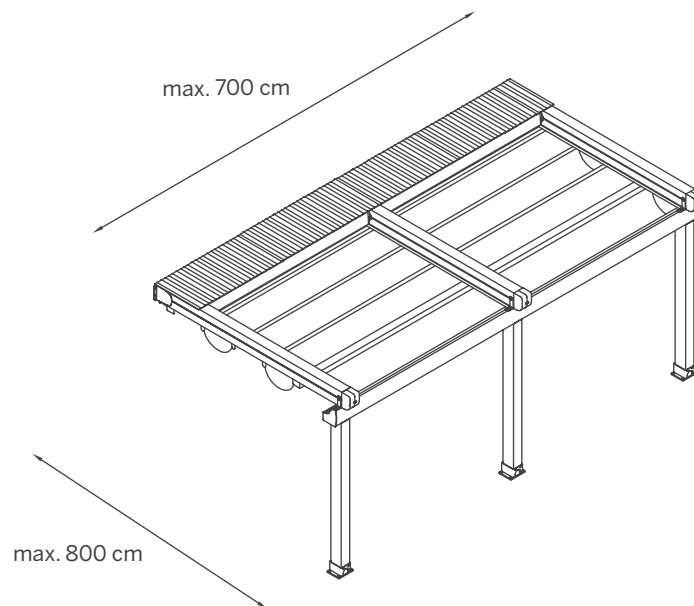
One Module

200 cm > 350 cm
One Module with one motor & 2 rafters



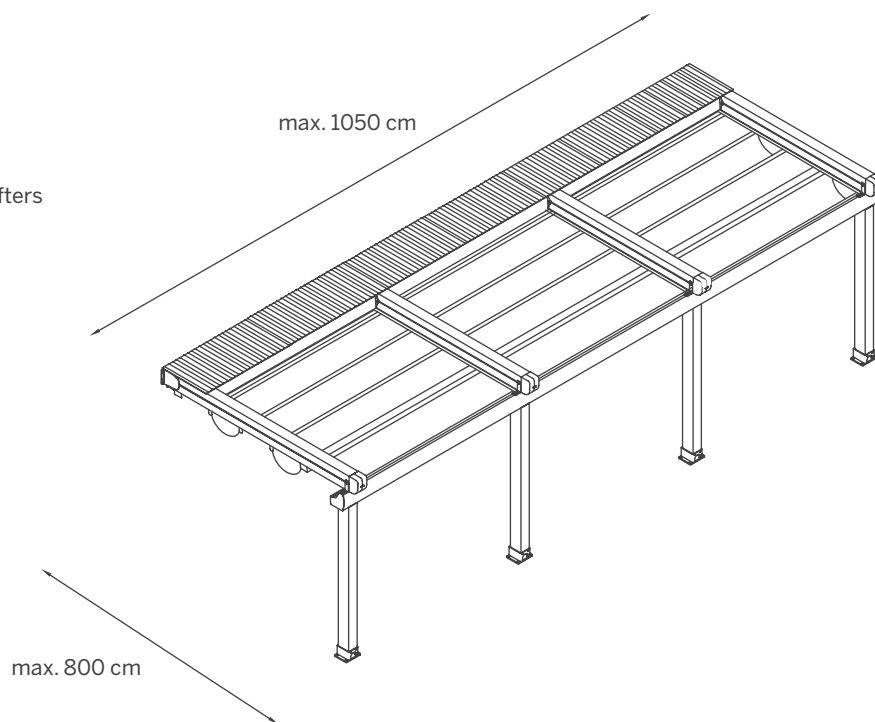
Two Modules

350 cm > 700 cm
Two Modules with one motor & 3 rafters

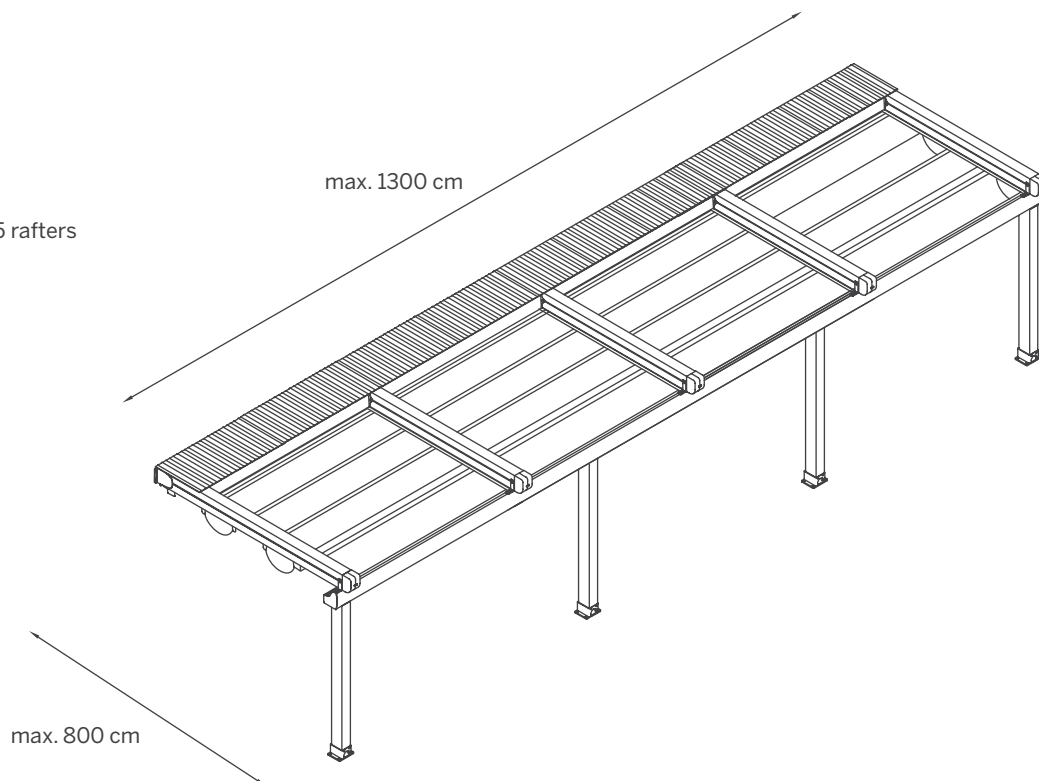


Three Modules

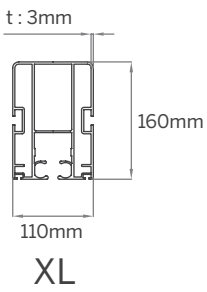
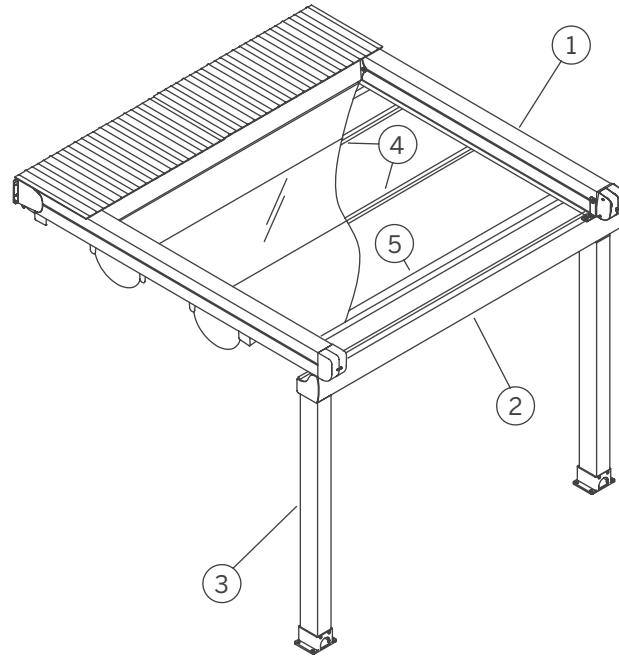
700 cm > 1050 cm
Three Modules with one motor & 4 rafters

**Four Modules**

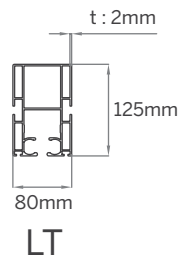
1050 cm > 1300 cm
Four Modules with one motor & 5 rafters



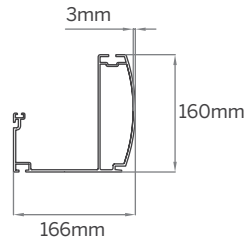
Flat



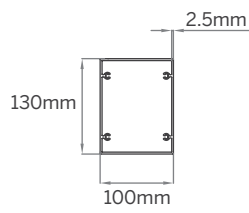
① Rafter



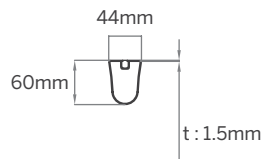
LT



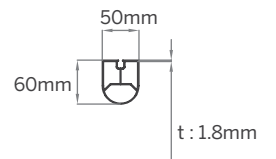
② Gutter



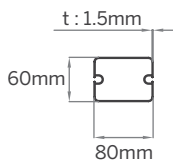
③ Post



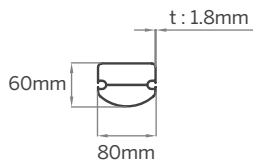
④ Fabric Support (Standart)



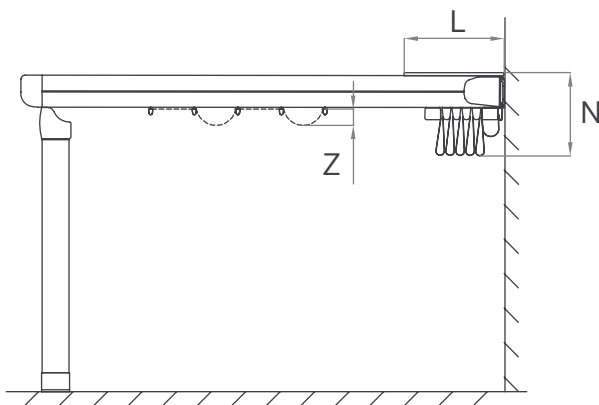
④ Fabric Support (HDD Lux)



⑤ Puller Profile (Standart)



⑤ Puller Profile (HDD Lux)



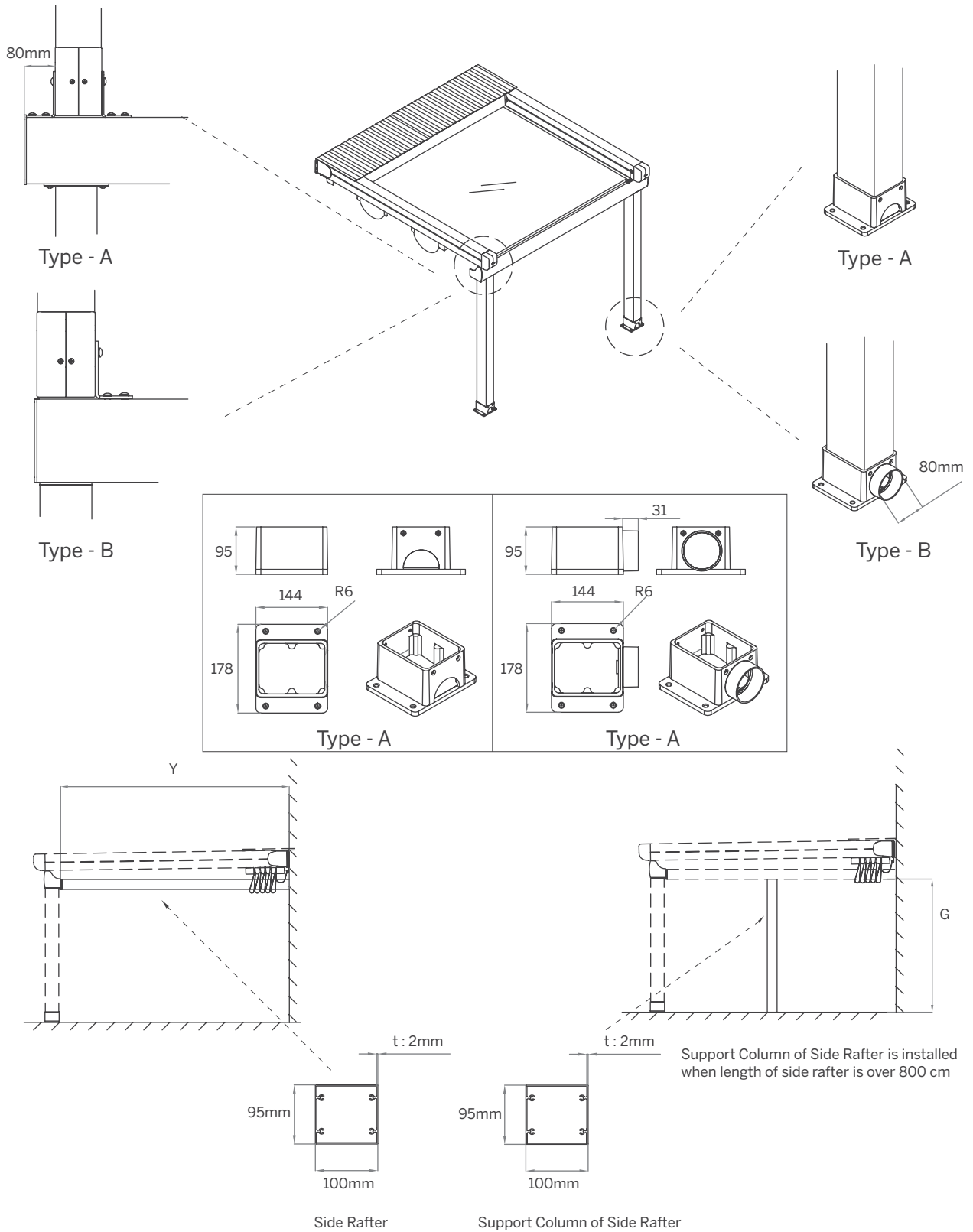
Flat LT

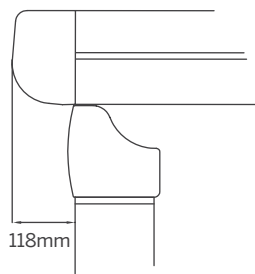
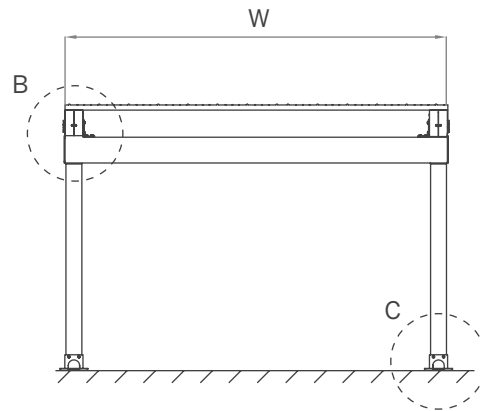
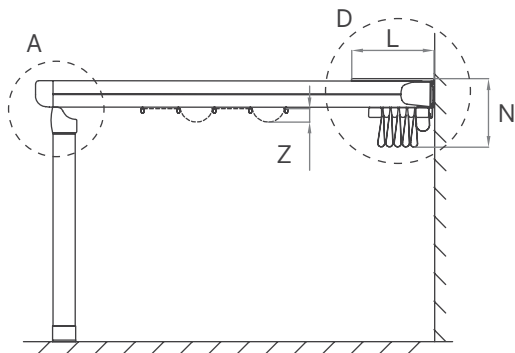
	Fabric Height	Hood	Fab.Sup.Profiles	Fabric Deflection		
	(N) mm	(L) mm	pc	(Z) mm		
Projection (P) cm	300	320	638	7	300	130
	350	320	693	8	350	160
	400	320	748	9	400	100
	450	320	858	11	450	100
	500	320	913	12	500	100
	550	320	968	13	550	130
	600	320	1023	14	600	150

Flat XL

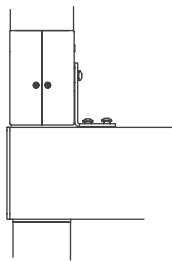
	Fabric Height	Hood	Fab.Sup.Profiles	Fabric Deflection		
	(N) mm	(L) mm	pc	(Z) mm		
Projection (P) cm	300	355	633	7	650	160
	350	355	688	8	700	160
	400	355	743	9	750	130
	450	355	853	11	800	130
	500	355	908	12	850	130
	550	355	963	13	900	130
	600	355	1018	14	950	160
	650	355	1073	15	1000	160
	700	355	1183	17	1050	160
	750	355	1238	18	1100	130
	800	355	1293	19	1150	130
					1200	170
					1250	170
				1300	170	

Flat

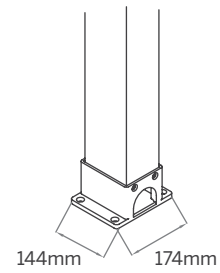




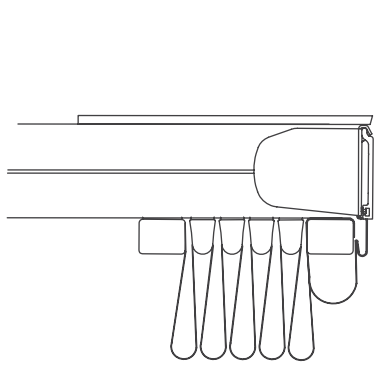
DETAIL A



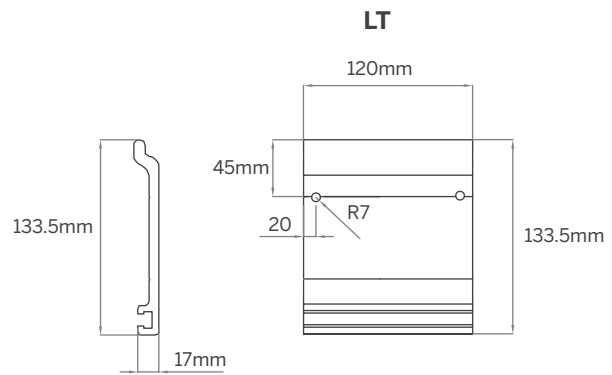
DETAIL B



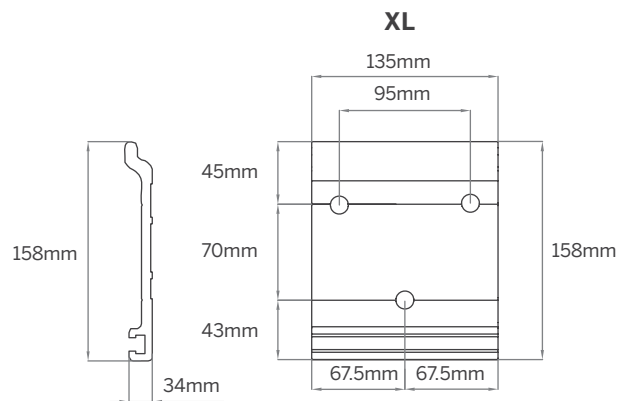
DETAIL C



DETAIL D



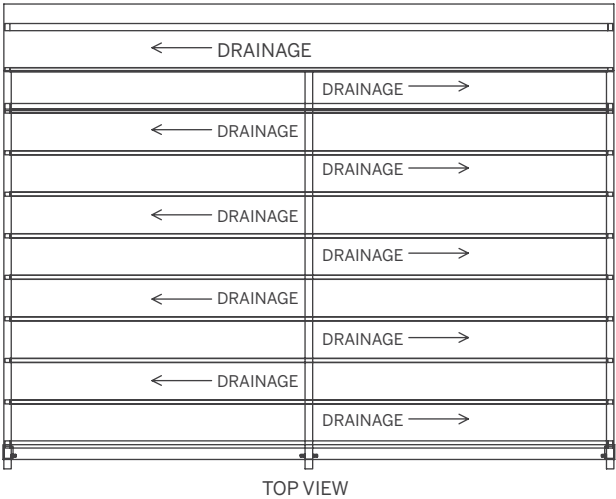
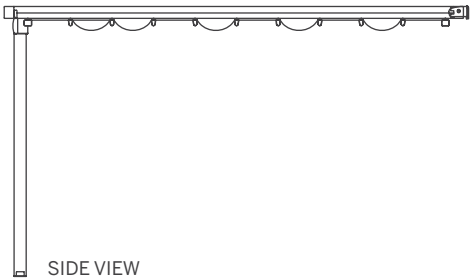
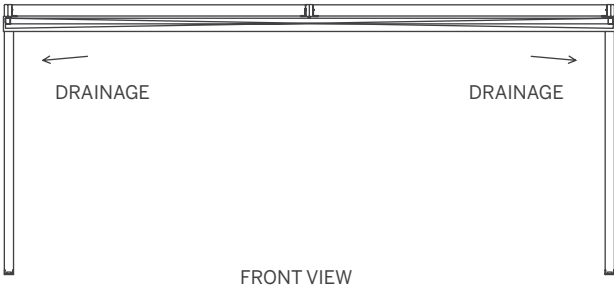
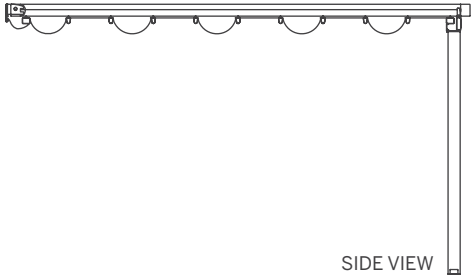
Installation Bracket



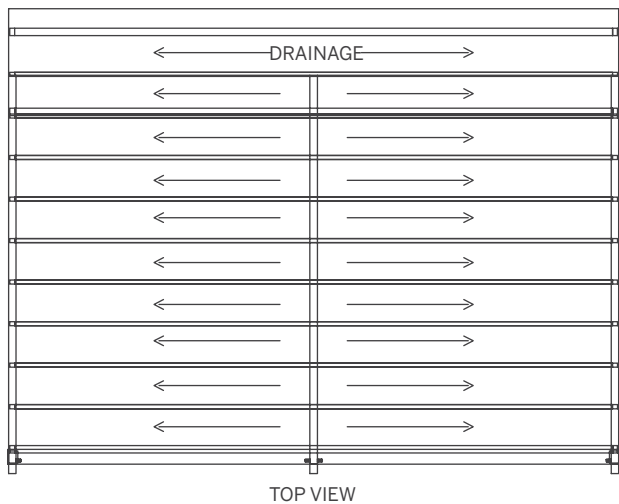
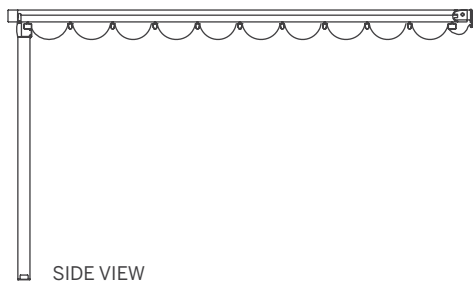
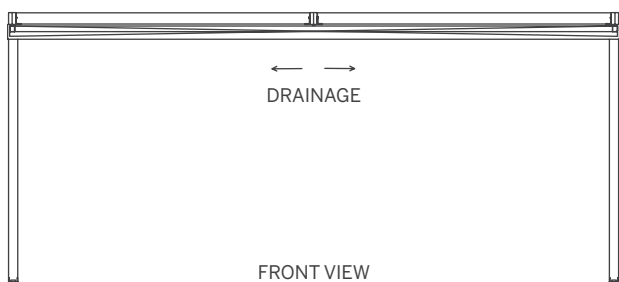
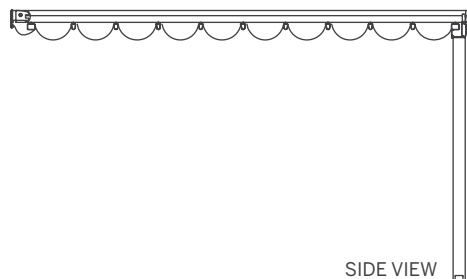
Installation Bracket

Flat

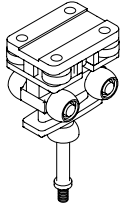
Alternating



Free

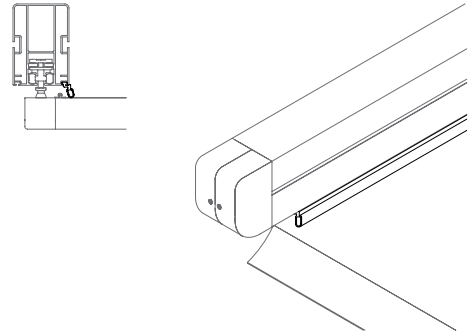


Flat



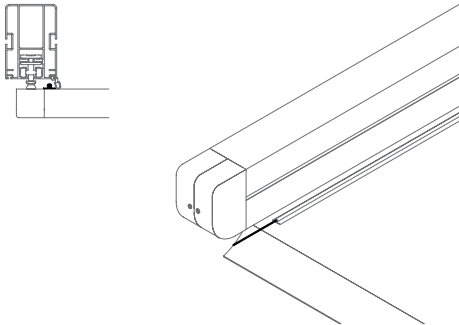
F3 Eight wheel slider

Four horizontal & four vertical rollers working together for perfectly smooth operation every time. The F3 eight wheel system is proven to remove the jamming issue that occurs with the 4 wheel system and can take loads of upto 600KG.



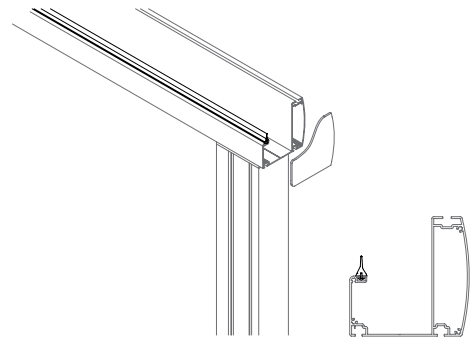
Rafter stormguard edge seal

The rafter Stormguard edge seal stops water from dripping over the side of the system by providing a soft cushioning barrier along the side of the system.



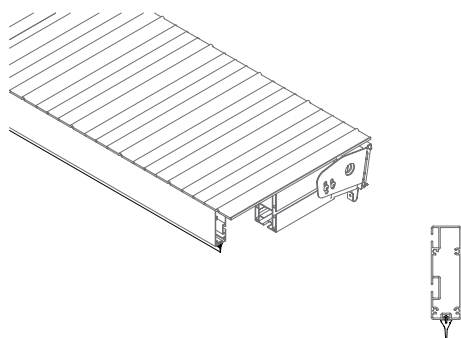
Fabric anti-drop edge cord with electrical cable

The fabric anti-drip edge cord with integrated lighting electrical cable works in conjunction with the Stormguard edge seal to prevent any water leaks over the side of the system.



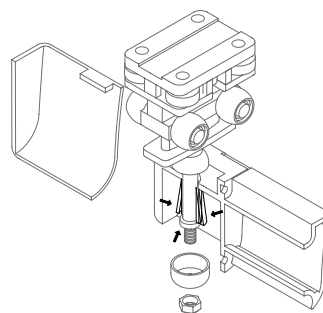
Gutter stormguard seal

The Stormguard gutter seal provides a perfect seal to prevent water leaks along the front of the system from driving rain or splashing from the gutter.



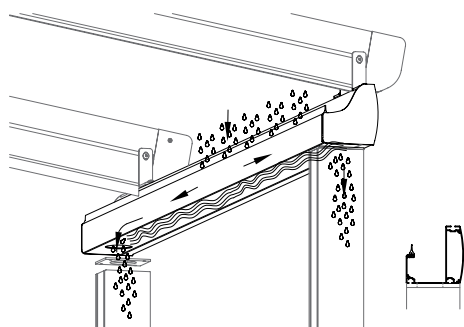
Hood stormguard seal

The Stormguard hood seal provides the perfect seal to prevent driving rain & wind coming in under the hood profiles.



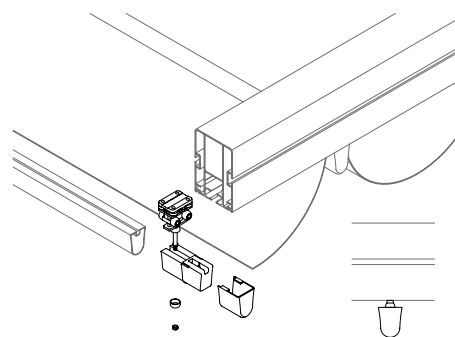
F3 slider easy clip installation

The F3 system has been designed for ease of use, to save time on installations and reduce the number of staff required. Each F3 slider can take loads of up to 600KG once in place.



Integrated gutter & internal drainage system

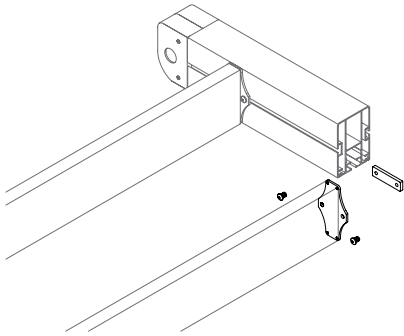
The integrated gutter system provides the perfect solution for water drainage.



F3 slider and fabric profile assembly

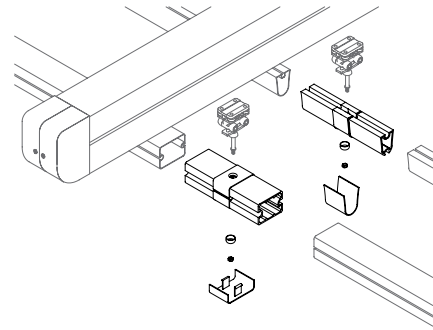
The system has been designed for ease of assembly to save time on installations and reduce the number of staff required.

Flat



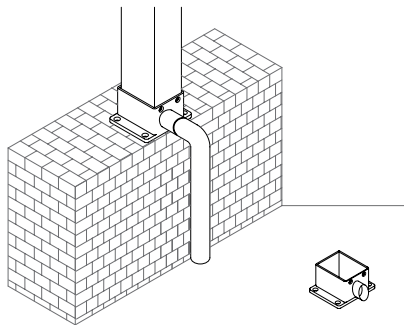
Motorbox support & hood support profile easy installation

Each support profile is easy to install and simple to adjust at the time of installation.



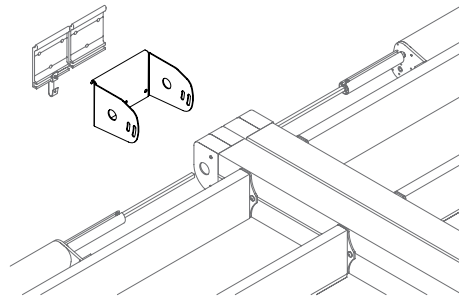
Easy clip intermediate joints (for 2 & 3 module systems)

The Easy clip intermediate joints have been designed for ease of site assembly to save time and reduce the number of staff required.



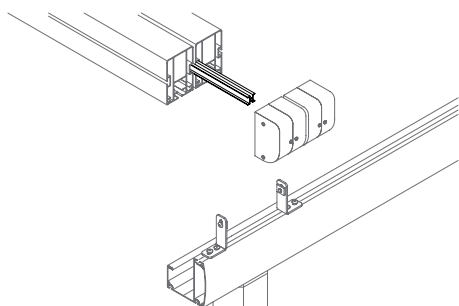
Base plate with external spout

This base plate provides a water dispersal solution.



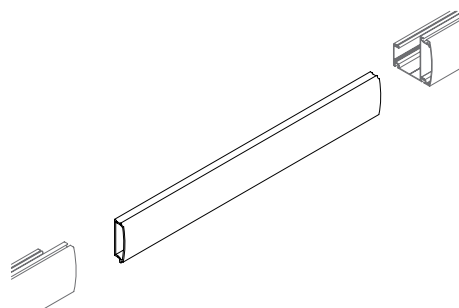
Double rafter wall bracket kit

An advanced solution for installing two rafter's at once.



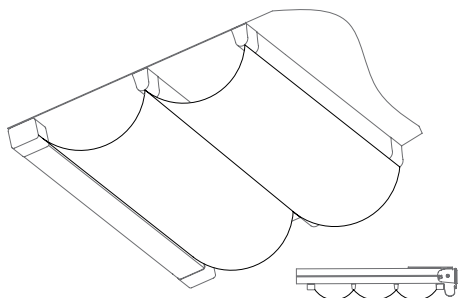
Storm channel for joining system

The storm channel is patented solution for joining two systems side by side with a waterproof join.



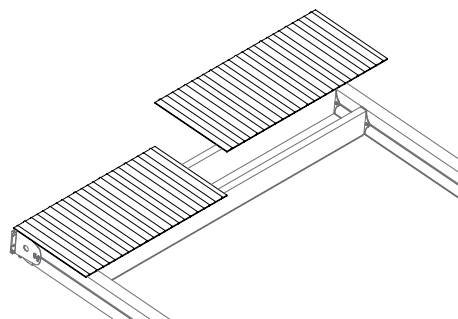
Gutter profile joining piece

A smart solution for joining the gutter profile.



Decorative fabric under layer

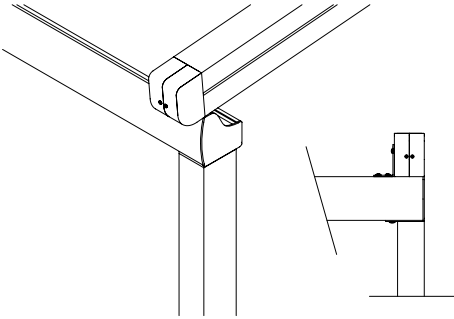
The second decorative fabric under layer of fabric can provide an elegant touch of class.



Hood profile sheets

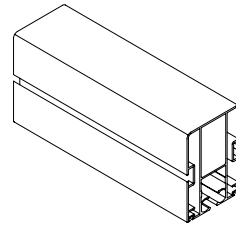
Suntech's hood profile sheets provide an attractive covering solution for the system when not in use. The low profile aesthetic design offer added protection to the system with a chic touch.

Flat



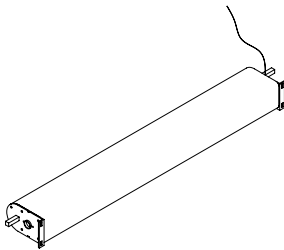
Gutter flush with rafter

Gutter solution for when the system is installed next to a wall or no overhang of the gutter is required.



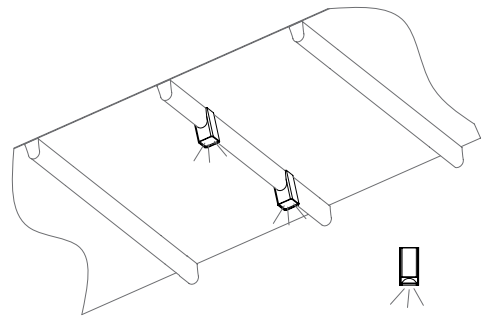
Rafter profile with water guard side channels

The Suntech rafter profiles are designed with water guard side channels for easy installation and to prevent water from entering.



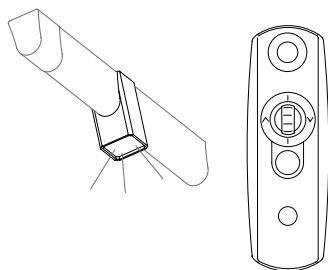
Compact 26rpm direct drive motor box

The Suntech direct drive motor system is a quick and efficient system that drives all conveyer rafters at the same time. The low profile design also allows the fabric to be stored underneath the motor which saves additional space.



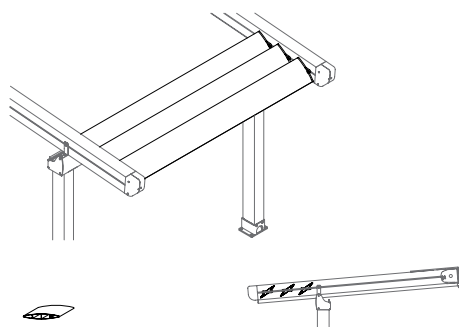
LED-TEC high powered lighting

LED-TEC lighting is an integrated lighting solution that can be added to any Suntech system.



LED-TEC dimmer setup

LED-TEC dimmer lighting is a integrated lighting solution that can be added to any Suntech system.

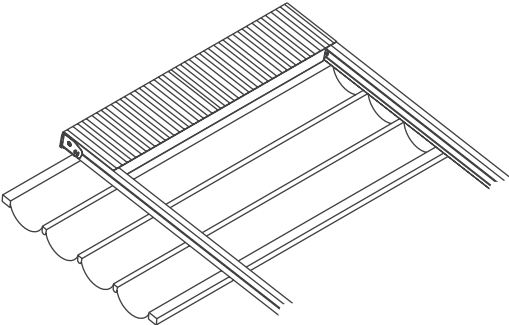


Aerofoil Louvres

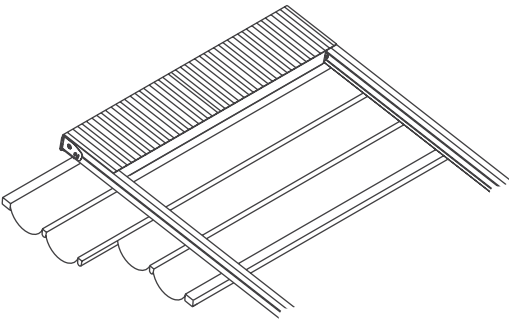
The addition of Aerofoil louvres can provide added shade when the system is closed.

Flat

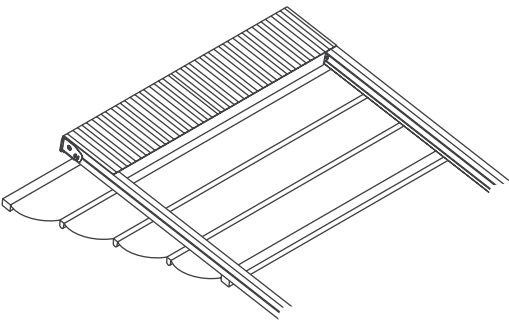
type I



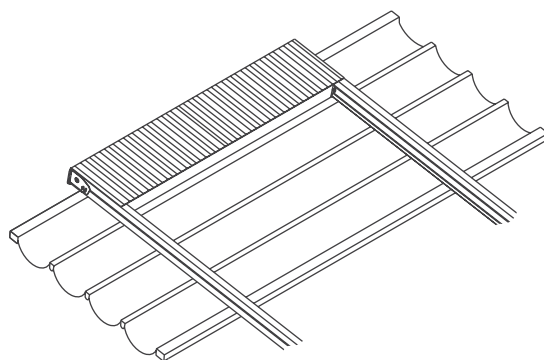
type II



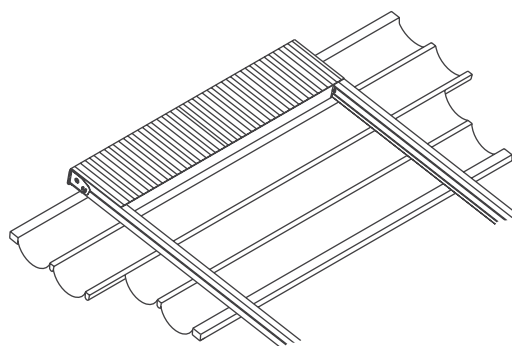
type III



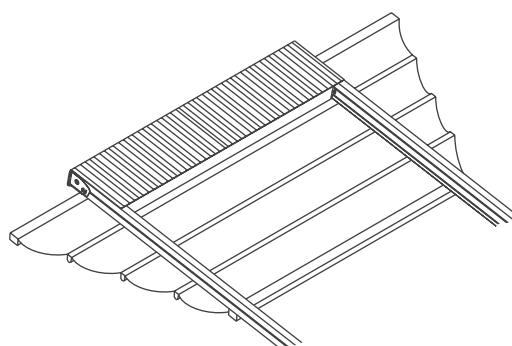
type IV



type V



type VI

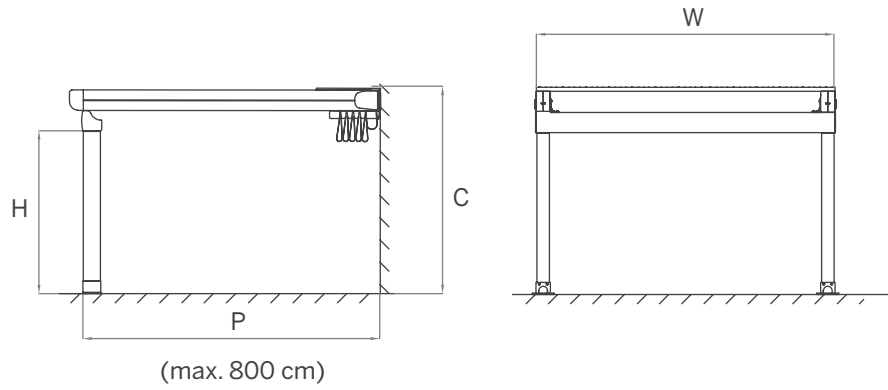


Each system is available with an optional overhang to allow the covered area to protrude past the rafter profile. Site specific overhang solutions such as stepped or wedge shapes are also an effective way to get maximum coverage for your area.

Flat

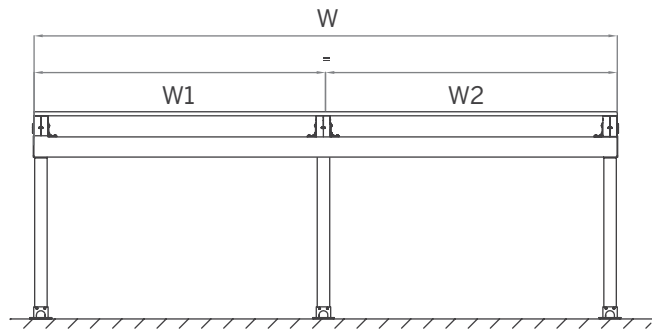
One Module

200 cm > 350 cm
One Module with one motor & 2 rafters



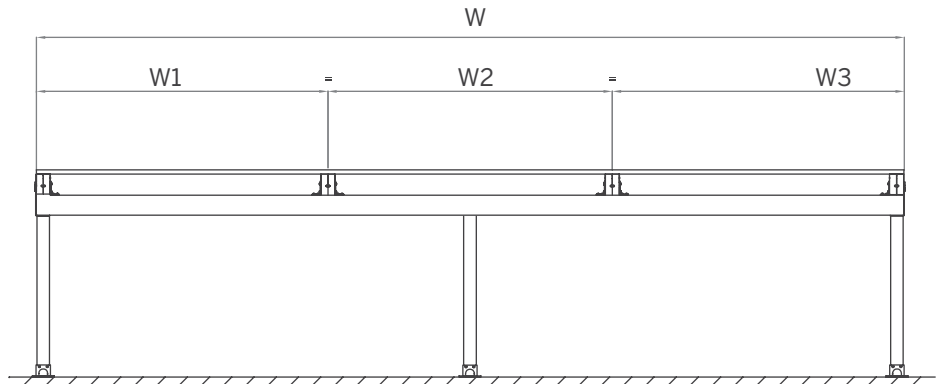
Two Modules

350 cm > 700 cm
Two Modules with one motor & 3 rafters



Three Modules

700 cm > 1050 cm
Three Modules with one motor & 4 rafters



Four Modules

1050 cm > 1300 cm
Four Modules with one motor & 5 rafters

